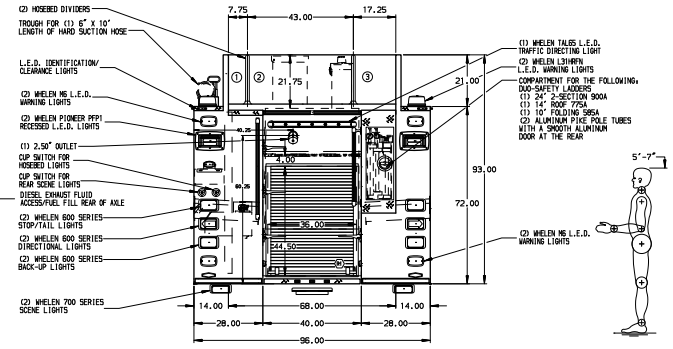
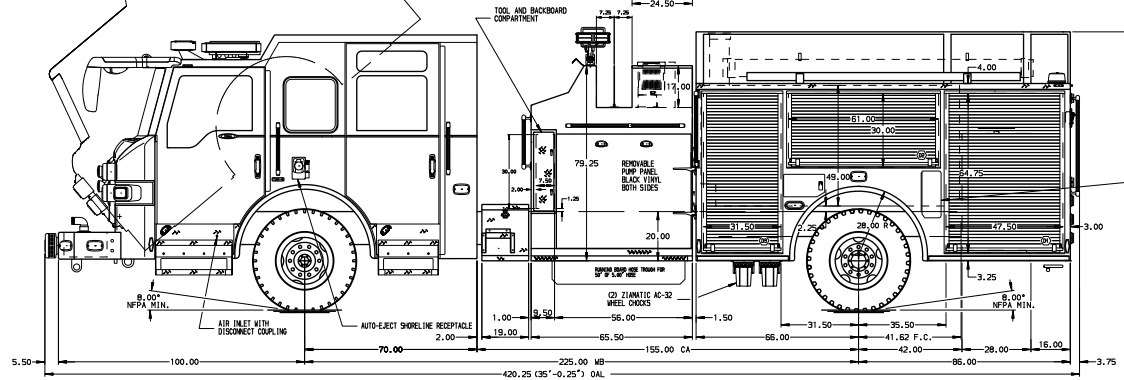


- HOSEBEND CAPACITIES**
- ① 200' OF 2.50\"/>



ALUMINUM BODY **FRONTAL IMPACT PROTECTION**

NOTE
DIMENSIONS SHOWN ARE APPROXIMATE AND ARE SUBJECT TO MINOR DEVIATIONS AS MAY OCCUR OR BE NECESSARY IN CONSTRUCTION.
MINOR DETAILS NOT SHOWN.

1. MOUNTING BASES FOR MOUNTING LOCATED PER SHOP ORDER
2. REMAN BATTERY CHARGER LOCATED BEHIND DRIVER SEAT
3. 5/8\"/>

11. ALL FOLDING STEPS TO BE TRIGGER WITH INTEGRATED L.E.D. LIGHT WEIGHT SPECIFIED
12. (2) 21\"/>

CUSTOMER APPROVAL				JOB NO. 27442																																			
APPROVED BY:		CHASSIS DATA	TITLE	SCALE	DATE																																		
DATE:		MAKE	FOR	1:24																																			
		PIERCE	1500-D-700P W/30G FOAM, 152\"/> <tr> <td></td> <td></td> <td>MODEL</td> <td>WEST MANATEE FIRE AND RESCUE</td> <td>DRAWN BY</td> <td>JMO</td> </tr> <tr> <td></td> <td></td> <td>IMP7010</td> <td>BRADENTON, FL</td> <td>CHECKED BY</td> <td>MNE</td> </tr> <tr> <td></td> <td></td> <td></td> <td></td> <td>DATE</td> <td>27NOV13</td> </tr> <tr> <td></td> <td></td> <td></td> <td></td> <td>DWG NO.</td> <td>27442AD</td> </tr> <tr> <td></td> <td></td> <td></td> <td></td> <td>SHEET SIZE</td> <td>D</td> </tr> <tr> <td></td> <td></td> <td></td> <td></td> <td>SHEET NO.</td> <td>1 of 1</td> </tr>			MODEL	WEST MANATEE FIRE AND RESCUE	DRAWN BY	JMO			IMP7010	BRADENTON, FL	CHECKED BY	MNE					DATE	27NOV13					DWG NO.	27442AD					SHEET SIZE	D					SHEET NO.	1 of 1
		MODEL	WEST MANATEE FIRE AND RESCUE	DRAWN BY	JMO																																		
		IMP7010	BRADENTON, FL	CHECKED BY	MNE																																		
				DATE	27NOV13																																		
				DWG NO.	27442AD																																		
				SHEET SIZE	D																																		
				SHEET NO.	1 of 1																																		