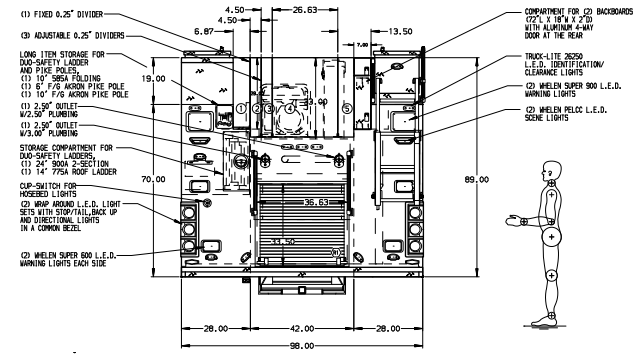
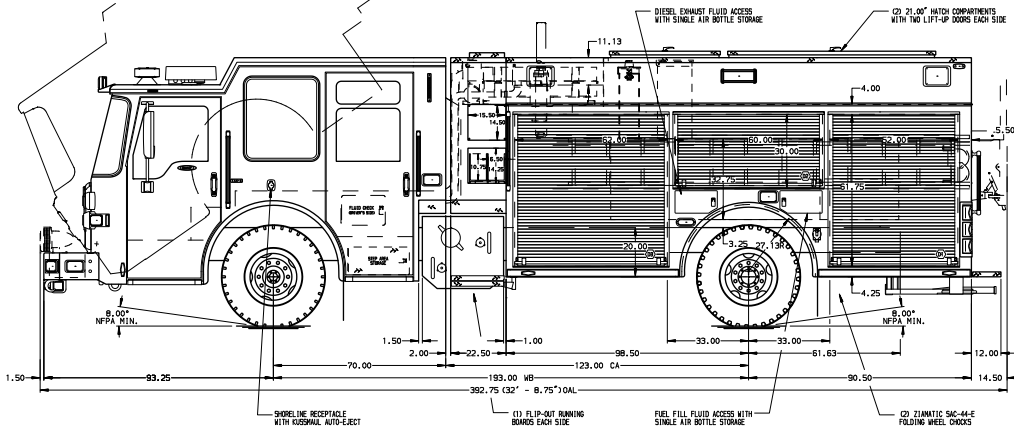


- HOSEBED CAPACITIES
- ① - 300' OF 3.00" D.J.J. POLY HOSE
  - ② - 200' OF 1.75" D.J.J. POLY HOSE
  - ③ - 200' OF 1.75" D.J.J. POLY HOSE
  - ④ - 1000' OF 5.00" L.D. D.J.J. POLY HOSE
  - ⑤ - 300' OF 3.00" D.J.J. POLY HOSE



ALUMINUM BODY

MAXIMUM O.A.H. 119"

NOTE

DIMENSIONS SHOWN ARE APPROXIMATE AND ARE SUBJECT TO MINOR DEVIATIONS AS MAY OCCUR OR BE NECESSARY IN CONSTRUCTION.

MINOR DETAILS NOT SHOWN.

1. ALUMINUM TREADPLATE EXTERIOR REAR WALL OF CAB
2. MOUNTING BRACK FOR ANTENNA LOCATED PER SHOP ORDER
3. BATTERY CHARGER LOCATED IN COMPARTMENT D3
4. BATTERY CHARGE INDICATOR LOCATED NEAR D.S. SEAT RISER WITH BRACKET
5. PERIPHERAL SCENE LIGHTS LOCATED PER SHOP ORDER
6. PERIPHERAL SCENE LIGHTS LOCATED PER SHOP ORDER
7. ONE ADJUSTABLE FULL VERTICAL DEPTH SHELF IN COMPARTMENT D3, D3, P1 & R1, TWO IN D1 & P3
8. ONE PAINTED FLOOR MOUNTED 3/16" OUT TRAY IN COMPARTMENT D3, D3, P1 & R1
9. ONE PAINTED ADJUSTABLE TILTING 5/16" OUT TRAY IN COMPARTMENT P1 & P2
10. ONE ALUMINUM SLIDE-OUT TOOL BOARD IN COMPARTMENT P3
11. VERTICAL PARTITION IN COMPARTMENT P3
12. PIGEONHOLE ON REAR WALL W/ TRUCK IN COMPARTMENT D3
13. PIERCE LOGO MULDIPS FRONT AND REAR
14. AIR INLETS WITH DISCONNECT COUPLING LOCATED ON DRIVERS SIDE STEP WELL
15. STAINLESS STEEL FENDER CHROMES ON CAB AND BODY
16. BLACK TRAP TOWING COUPLING ON TOP FLANGE OF FRONT BUMPER
17. CIRCUIT BREAKER PANEL IN COMPARTMENT D3
18. ONE HANDED ELECTRIC CABLE REEL MODEL 150B-17-18 LOCATED IN PASSENGERS SIDE HATCH COMPARTMENT SIZED FOR 200' OF 10/3 CABLE PROVIDED BY DEALER
19. ONE 120V RECEPTACLE IN COMPARTMENT P1
20. DIT 5000 WATT HONDA GENERATOR INSTALLED BY FIRE DEPARTMENT IN CARGO AREA
21. CTF WHEEL CHOCKS

		JOB NO.	27730
		SCALE	1:24
<b>CHASSIS DATA</b> TITLE 1500-D-SOOP W/20 GALLON FOAM CELL, 189" PUC, (2) XLAYS DELUXE, LADDERS THRU BODY, TOP ACCESS LADDER, BB COMPT FOR COCCA BEACH FIRE DEPARTMENT COCCA BEACH, FLORIDA		DATE	12MAR14
		DRN BY	AMJ
<b>DWG NO.</b> 27730AD		DATE	13MAR14
		CHKD BY	MNE
SHEET SIZE D		SHEET NO. 1 of 1	