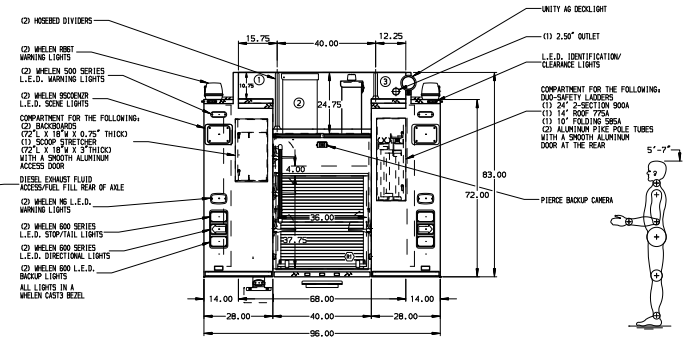


- HOSED CAPACITIES
- ① 300' OF 3.00" D.I.J. POLY HOSE
 - ② 1200' OF 5.00" D.I.J. POLY HOSE
 - ③ 250' OF 3.00" D.I.J. POLY HOSE



ALUMINUM BODY

FRONTAL IMPACT PROTECTION

NOTE

1. 1/4" WHEEL CHECKS AND MOUNTING BRACKETS
2. ALUMINUM TREADPLATE EXTENSION REAR HALL OF CAB
3. 5/32" SLIPPLATE ON EACH CAB DOOR JAMB
4. MOUNTING BRACES FOR ANTENNAS LOCATED PER SHOP ORDER
5. BATTERY CHARGER LOCATED IN COMPARTMENT D3
6. BATTERY CHARGE INDICATOR LOCATED NEAR D.5. SEAT RISER WITH BRACKET
7. SUB-FEED CIRCUIT BREAKER PANEL IN COMPARTMENT D3
8. ROOF-MOUNTED SCENE LIGHTS LOCATED PER SHOP ORDER
9. PIERCE L.E.D. DUAL COMPARTMENT LIGHT STRIPS LOCATED PER SHOP ORDER
10. PAINTED SHEET TRACKS LOCATED IN COMPARTMENTS D1, D2, D3, D1, D2, D3, R1

11. ONE HALL AUTO-DEPTH PAINTED ADJUSTABLE SHEET IN COMPARTMENTS D1, D2, P1, P2, THREE TRIN TRIP
12. ONE FLOOR MOUNTED SLIDE-OUT TRAY IN COMPARTMENTS D1, P1, R1
13. ONE ADJUSTABLE SLIDE-OUT TRAY IN COMPARTMENT R1
14. ALUMINUM SLIDE-OUT TOOL BAND WITH PERSGARD PATTERN IN COMPARTMENT D3
15. ONE ADJUSTABLE VERTICAL PARTITION IN COMPARTMENT D3
16. PARTITIONS BETWEEN COMPARTMENTS D1/1 & P1/1
17. FOAM FRO 1800 SINGLE AGENT FOAM SYSTEM LOCATED PER SHOP ORDER
18. (1) DELUXE RECEPTACLE LOCATED IN DND COMPARTMENT

		JOB NO.	28093
		SCALE	DATE
		SCALE	1:24
		DATE	10 JUL 14
		DESIGNED BY	JNO
		CHECKED BY	MNE
		DATE	14 JUL 14
		SHEET SIZE	D
		SHEET NO.	1 of 1

CHASSIS DATA	TITLE	1250-D-500P W/30G FOAM, 161", FULL HEIGHT, FULL DEPTH
MAKE	FOR	(2) X-LAYS, DELUGE, BACKBOARDS
PIERCE	FOR	CITY OF SEMINOLE FIRE RESCUE DEPARTMENT
MODEL		SEMINOLE, FLORIDA
DWG NO.		28093AD
IMPEL		