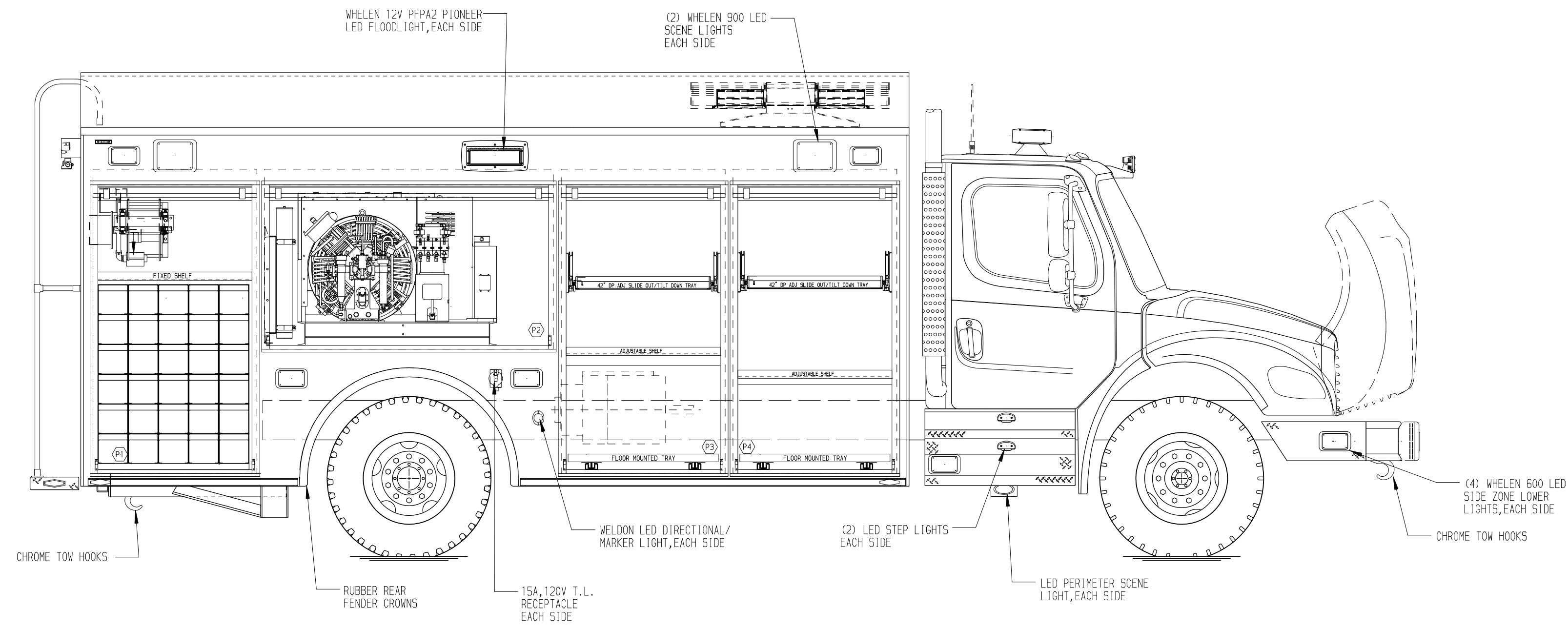
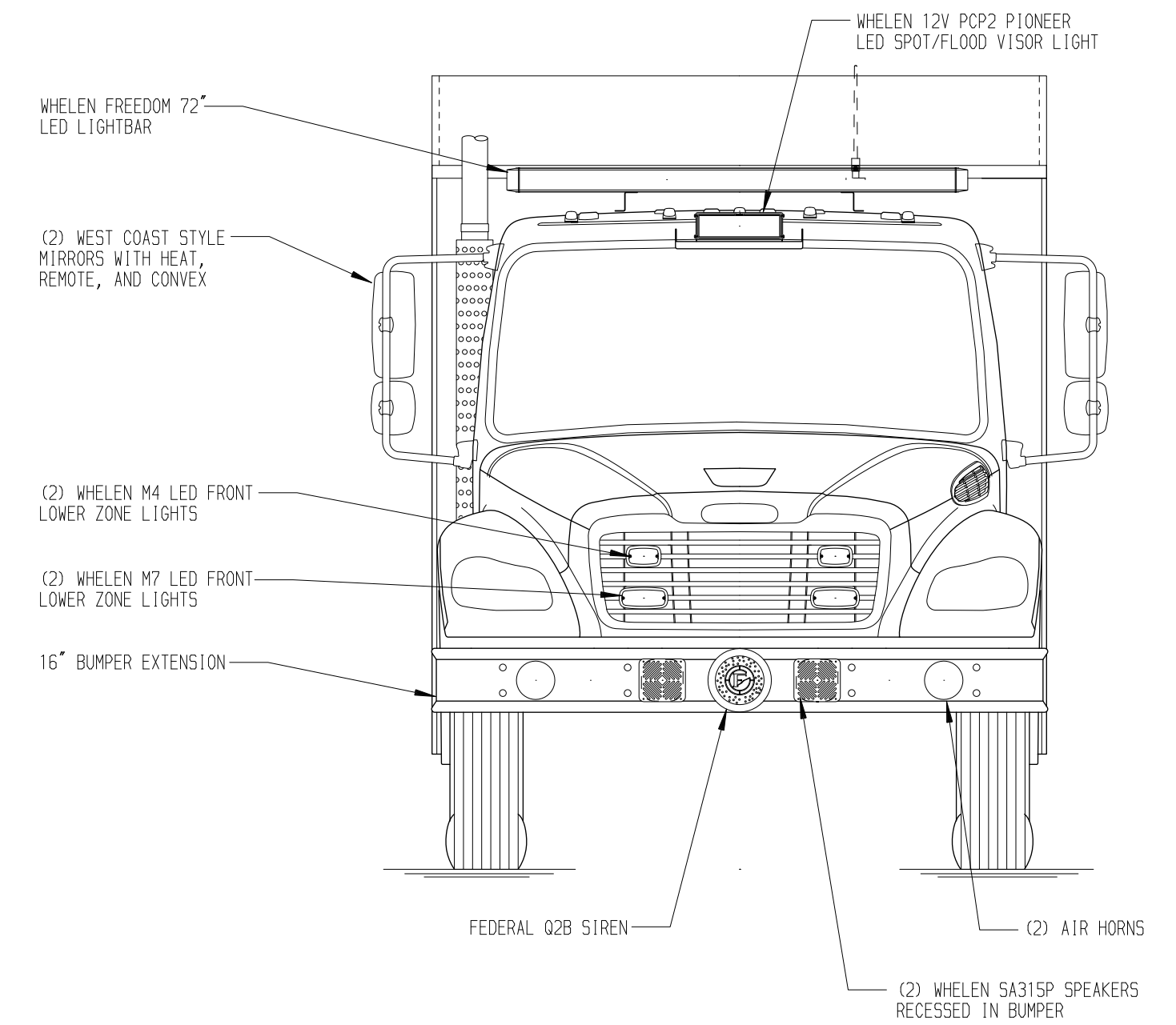


**PASSENGER'S SIDE COMPARTMENTS CONTAIN THE FOLLOWING:**

- COMPARTMENT P1 CONTAINS:
  - (1) RACK FOR 30 SCBA BOTTLES
  - (1) ELECTRIC CORD REEL WITH 150' OF 10/4 YELLOW CORD
  - (1) 22" DP FIXED SHELF
- COMPARTMENT P2 CONTAINS:
  - (1) BAUER K15.11-15-E3 BREATHING AIR COMPRESSOR
- COMPARTMENT P3 CONTAINS:
  - (1) 42" DP ADJ SHELF
  - (1) FLOOR MOUNTED TRAY
  - (1) 42" DP ADJ SLIDE OUT/TILT TRAY
- COMPARTMENT P4 CONTAINS:
  - (1) 42" DP ADJ SHELF
  - (1) FLOOR MOUNTED TRAY
  - (1) 42" DP ADJ SLIDE OUT/TILT TRAY

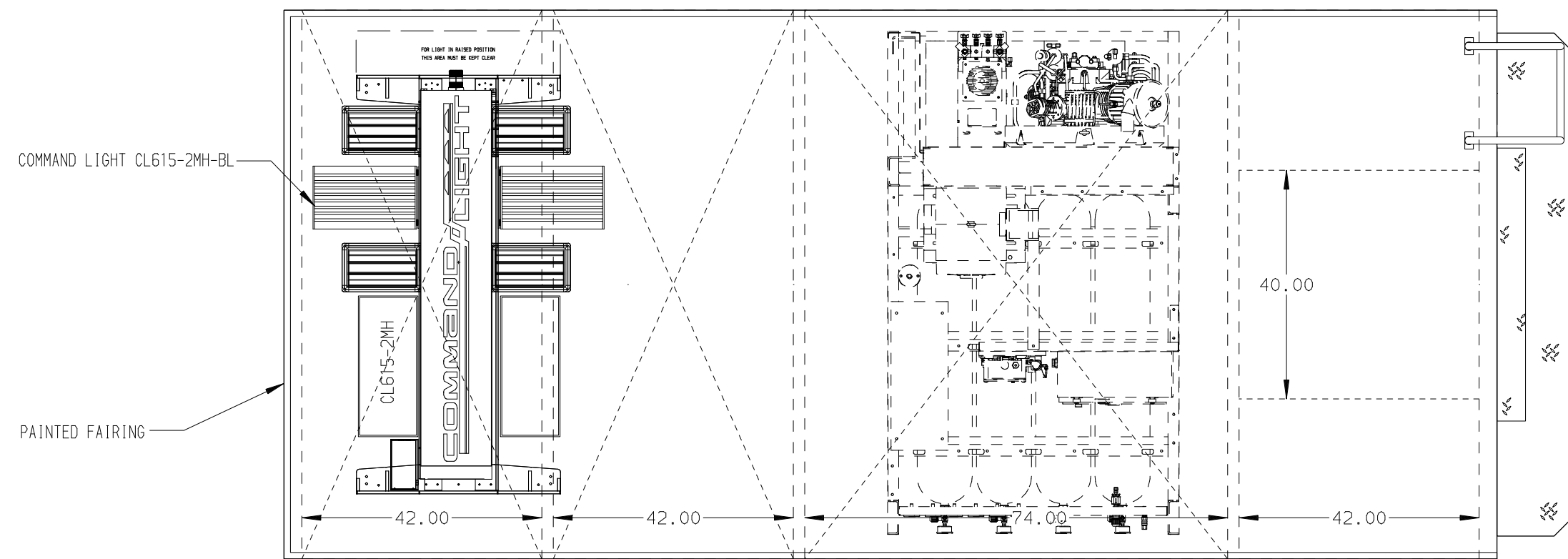


**STANDARD ROOF VERTICAL EXHAUST-SET CLUMP**



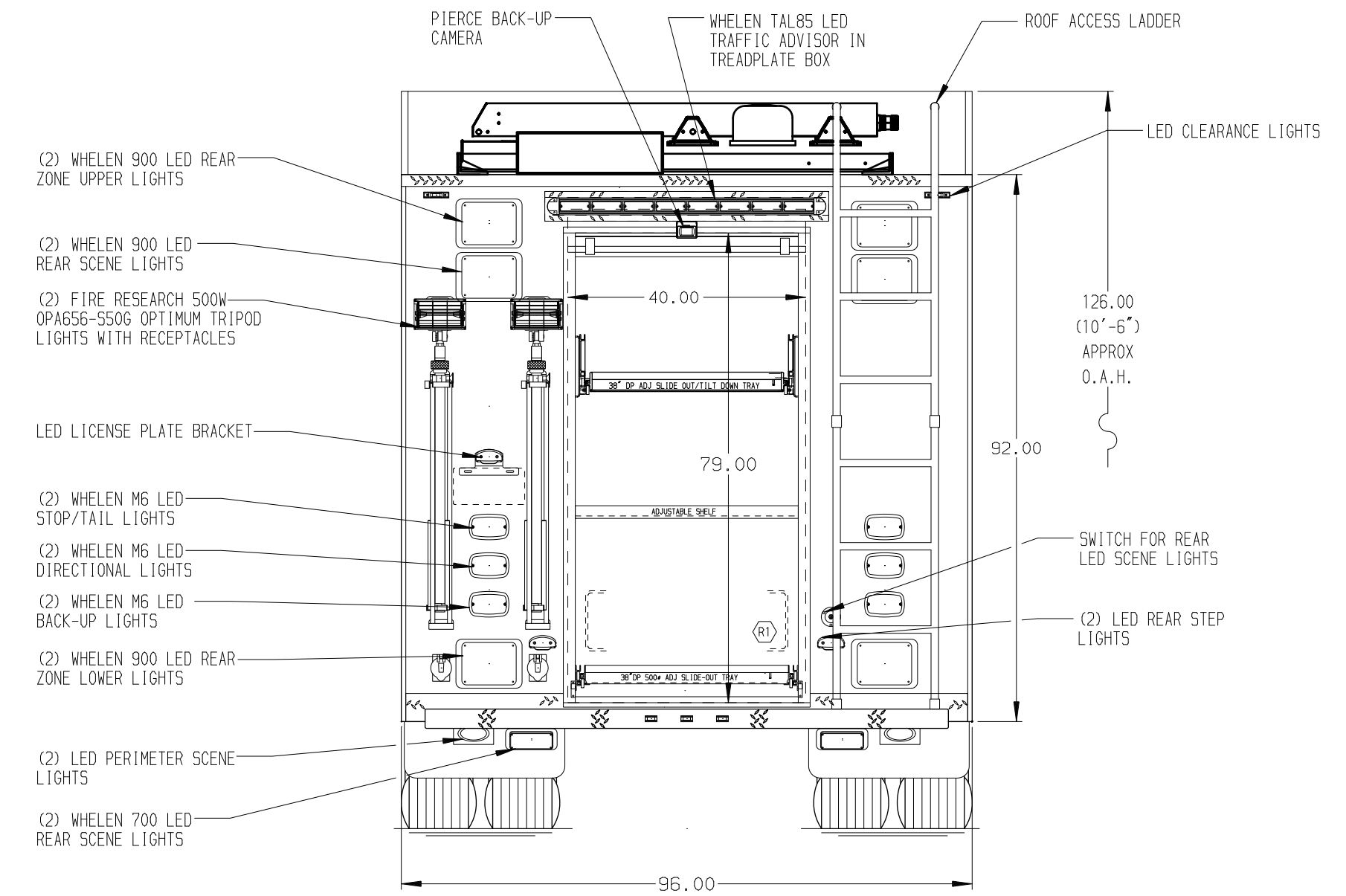
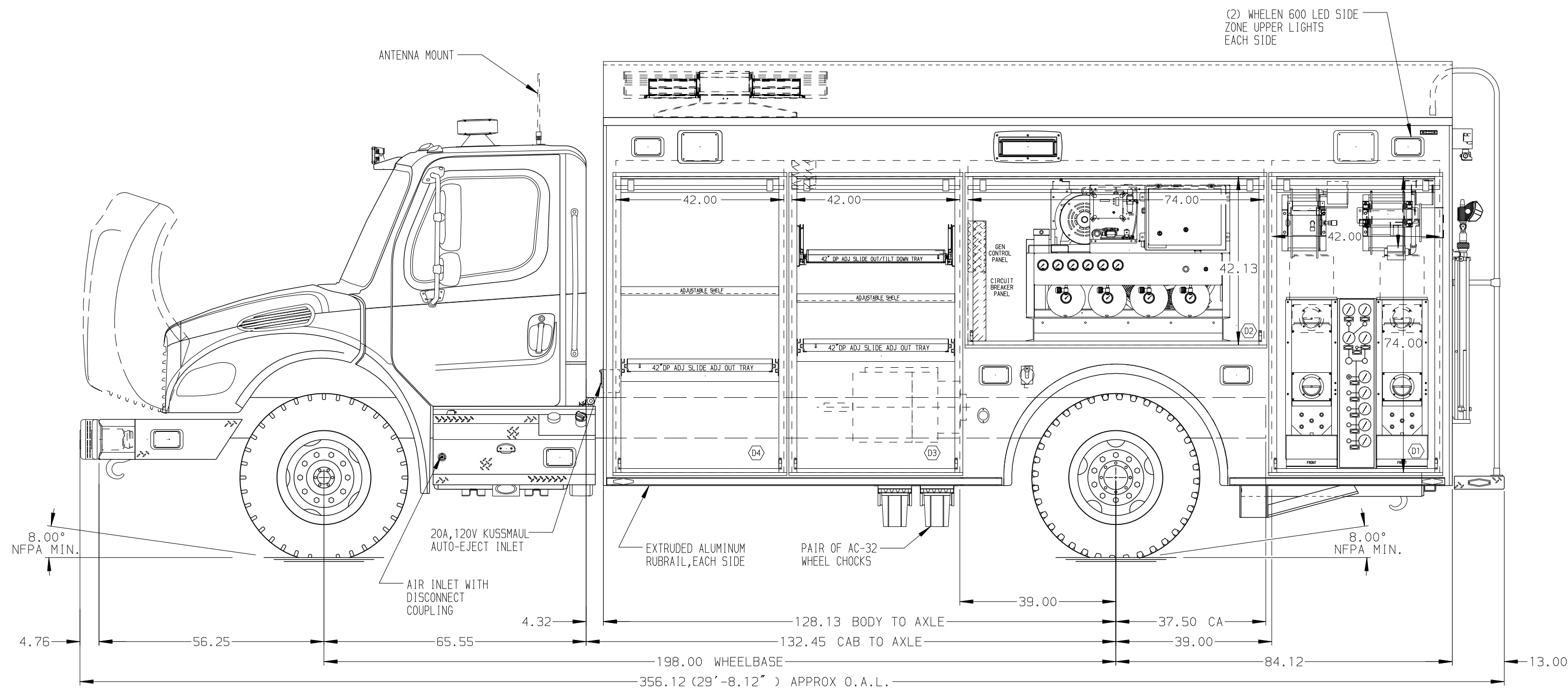
**REAR COMPARTMENT CONTAINS THE FOLLOWING:**

- COMPARTMENT R1 CONTAINS:
  - (1) 40" DP ADJ SHELF
  - (1) 38" DP ADJ SLIDE OUT TRAY
  - (1) 38" DP ADJ SLIDE OUT/TILT TRAY



**DRIVER'S SIDE COMPARTMENTS CONTAIN THE FOLLOWING:**

- COMPARTMENT D1 CONTAINS:
  - (1) CASCADE SYSTEM CONTROL PANEL
  - (2) "SPACE SAVER-2" BOTTLE FILL ENCLOSURES
  - (1) HIGH PRESSURE BREATHING AIR REEL WITH 200' OF HOSE
  - (1) ELECTRIC CORD REEL WITH 150' OF 10/4 YELLOW CORD
- COMPARTMENT D2 CONTAINS:
  - (1) CIRCUIT BREAKER PANEL
  - (1) GENERATOR METER PANEL
  - (1) COMMAND LIGHT CONTROLLER
  - (1) BAUER K15.11-15-E3 BREATHING AIR COMPRESSOR
- COMPARTMENT D3 CONTAINS:
  - (1) 42" DP ADJ SHELF
  - (1) 42" DP ADJ SLIDE OUT TRAY
  - (1) 42" DP ADJ SLIDE OUT/TILT TRAY
  - (1) NEWMAR BATTERY CHARGER
- COMPARTMENT D4 CONTAINS:
  - (1) 42" DP ADJ SHELF
  - (1) 42" DP ADJ SLIDE OUT TRAY
  - (2) 15A, 120V 6-PLACE RECEPTACLES



**NOTE**  
DIMENSIONS SHOWN ARE APPROXIMATE AND ARE SUBJECT TO MINOR DEVIATIONS AS MAY OCCUR OR BE NECESSARY IN CONSTRUCTION. MINOR DETAILS NOT SHOWN.

- NOTES:**
1. BATTERY CHARGE INDICATOR LOCATED ON DRIVER'S SEAT RISER
  2. ALUMINUM TREADPLATE STONE GUARDS ON THE FRONT OF THE BODY
  3. PULL STRAPS ON ALL ROLL-UP DOORS
  4. 5/8" GUARDS ON ROLL-UP DOORS IN COMPARTMENTS D1, D2, D3, D4, P1, P3, AND R1
  5. AMOR DUAL LED LIGHT STRIPS IN ALL BODY COMPARTMENTS
  6. LIMA 40kW THREE PHASE PTO DRIVEN GENERATOR LOCATED BETWEEN THE FRAME RAILS

|  |  |              |   |
|--|--|--------------|---|
|  |  | JOB NO.      | 28604   |
|  |  | SCALE        | DATE  |
|  |  | TITLE        | ENCORE RESCUE VEHICLE                         |
|  |  | CHASSIS DATA | 42.42.74.42                                   |
|  |  | FOR          | CLAYTON COUNTY FIRE DEPARTMENT<br>CLAYTON, GA |
|  |  | DWG NO.      | 28604AD                                       |
|  |  | CHECKED BY   | DANNY BROGDON                                 |
|  |  | SHEET NO.    | 1 OF 1  |

|         |      |     |              |
|---------|------|-----|--------------|
| 30APR15 | CLP  | CDK | MAKE         |
| 23MAR15 | DHE  | CDK | FREIGHTLINER |
| 19MAR15 | DHE  | CDK | MODEL        |
| REV     | DATE | BY  | CH           |
|         |      |     | M2-106       |