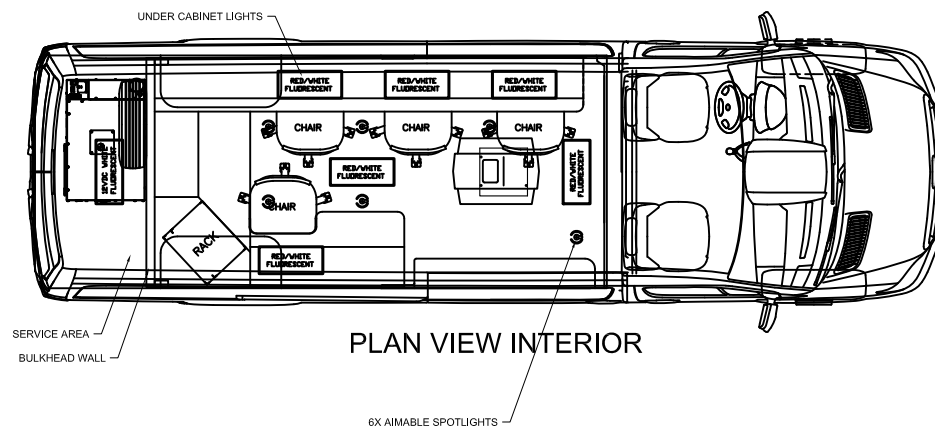
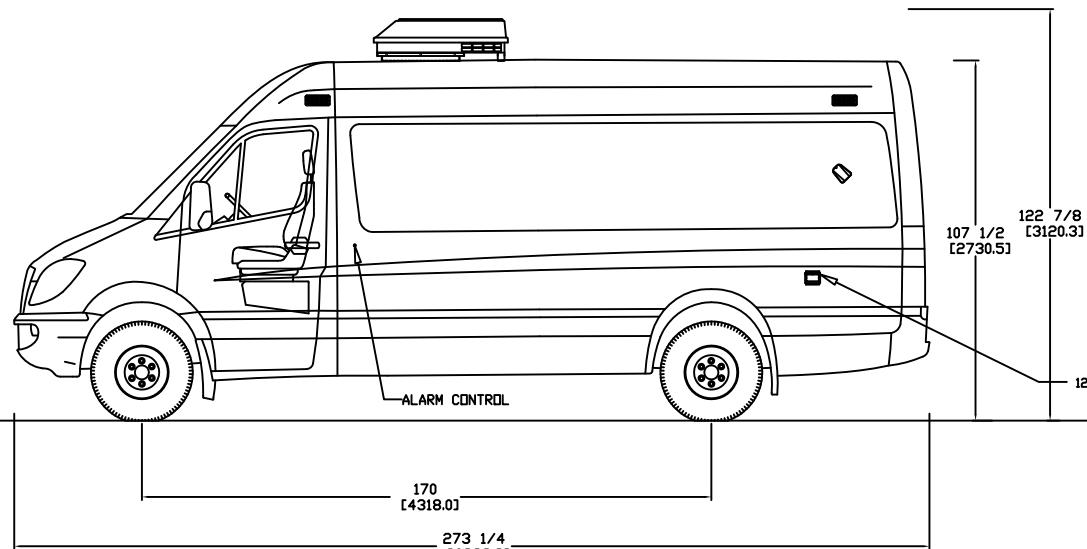


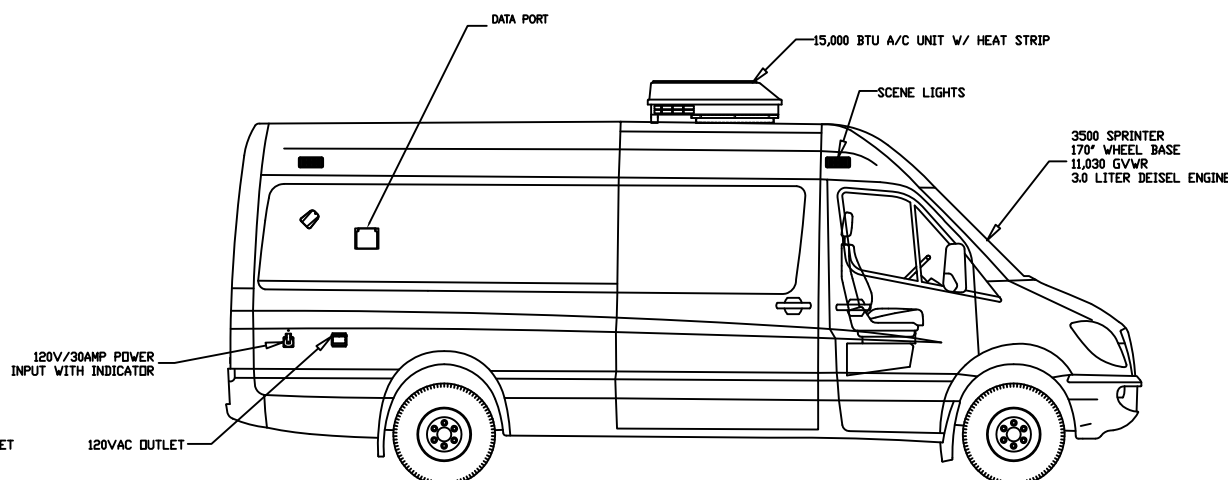
ROOF EXTERIOR VIEW



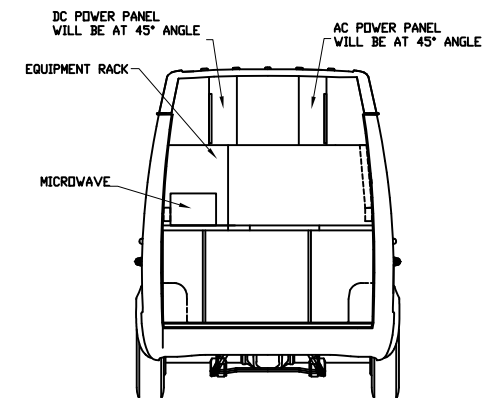
PLAN VIEW INTERIOR



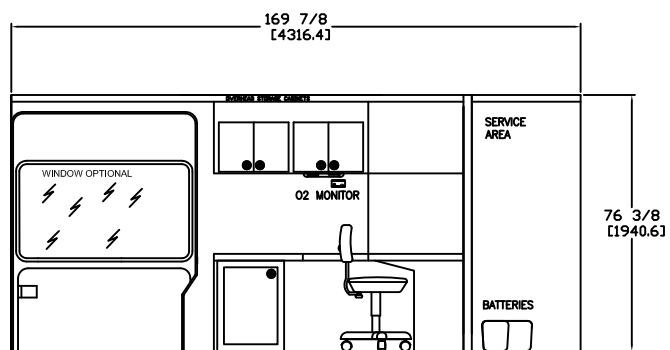
STREET SIDE EXTERIOR VIEW



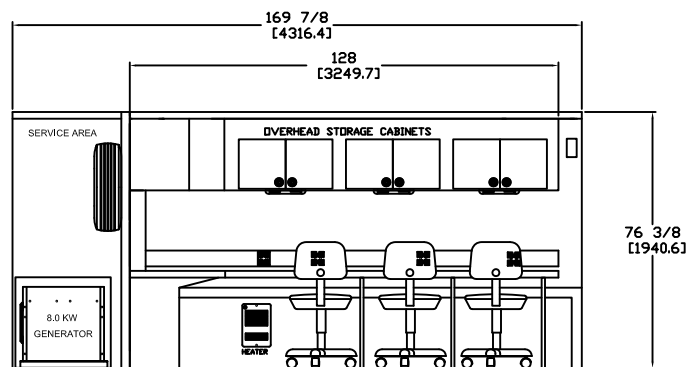
CURB SIDE EXTERIOR VIEW



OPERATIONS AREA VIEW FROM CAB



INTERIOR CURB WALL



INTERIOR STREET WALL

THIS DRAWING IS THE PROPERTY OF FRONTLINE COMMUNICATIONS. IT IS CONFIDENTIAL AND ALL RIGHTS ARE RESERVED. IT SHALL NOT BE REPRODUCED, COPIED, LENT, OR USED FOR ANY PURPOSE OTHER THAN THAT FOR WHICH IT IS SPECIFICALLY FURNISHED.

PRELIMINARY USE ONLY
THIS DRAWING IS FOR REPRESENTATION ONLY. DETAILED ENGINEERING DRAWINGS WILL BE CREATED FOR MANUFACTURING. CHANGES MAY BE REQUIRED TO ACCOMMODATE MANUFACTURING REQUIREMENTS AND CUSTOMER SPECIFICATIONS.

DRAWN	J.Chriss	DATE	10-03-11
SHEET	1 OF 1	NOT TO SCALE	

FRONTLINE COMMUNICATIONS
An Oshkosh Corporation Company

12770 44th Street North
Clearwater, FL 33762
Phone (727) 573-0400
www.frontlinecomm.com

C-23 B MCV SPRINTER
Mobile Command Vehicle
170WB Proposal

SIZE	DWG NO.	REV
B	022402	-