

CURB SIDE EXTERIOR

THIS DRAWING IS THE PROPERTY OF FRONTLINE COMMUNICATIONS. IT IS CONFIDENTIAL AND ALL RIGHTS ARE RESERVED. IT SHALL NOT BE REPRODUCED, COPIED, LENT, OR USED FOR ANY PURPOSE OTHER THAN THAT FOR WHICH IT IS SPECIFICALLY FURNISHED.

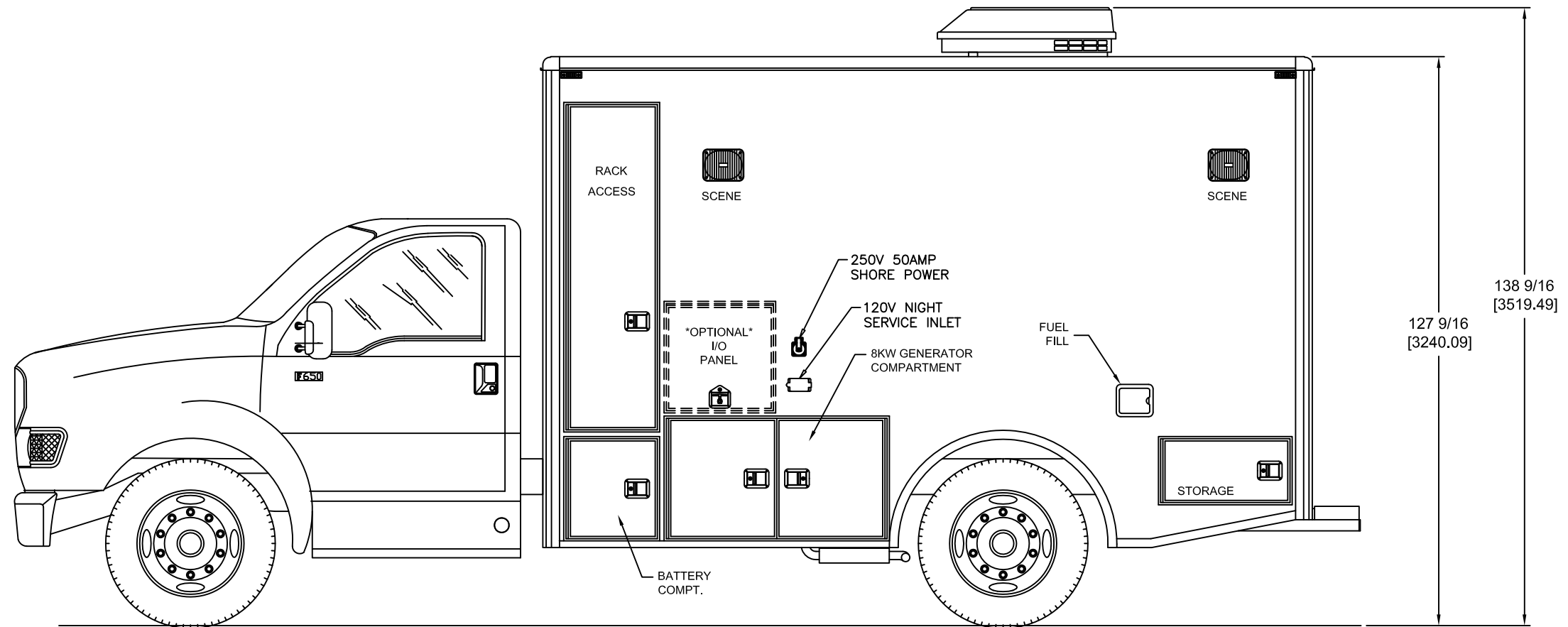
FRONTLINE COMMUNICATIONS
 An Oshkosh Corporation Company
 12770 44th Street North
 Clearwater, FL 33762
 Phone (727) 573-0400
 www.frontlinecomm.com



PRELIMINARY USE ONLY
 THIS DRAWING IS FOR REPRESENTATION ONLY. DETAILED ENGINEERING DRAWINGS WILL BE CREATED FOR MANUFACTURING. CHANGES MAY BE REQUIRED TO ACCOMMODATE MANUFACTURING REQUIREMENTS AND CUSTOMER SPECIFICATIONS.

C-25 MCV F-650
Mobile Command Vehicle
Proposal 2011

DRAWN	J.Chriss	DATE	10-04-10	SIZE	DWG NO.	REV
SHEET	1 OF 5		NOT TO SCALE	B	022403	-



STREET SIDE EXTERIOR

THIS DRAWING IS THE PROPERTY OF FRONTLINE COMMUNICATIONS. IT IS CONFIDENTIAL AND ALL RIGHTS ARE RESERVED. IT SHALL NOT BE REPRODUCED, COPIED, LENT, OR USED FOR ANY PURPOSE OTHER THAN THAT FOR WHICH IT IS SPECIFICALLY FURNISHED.

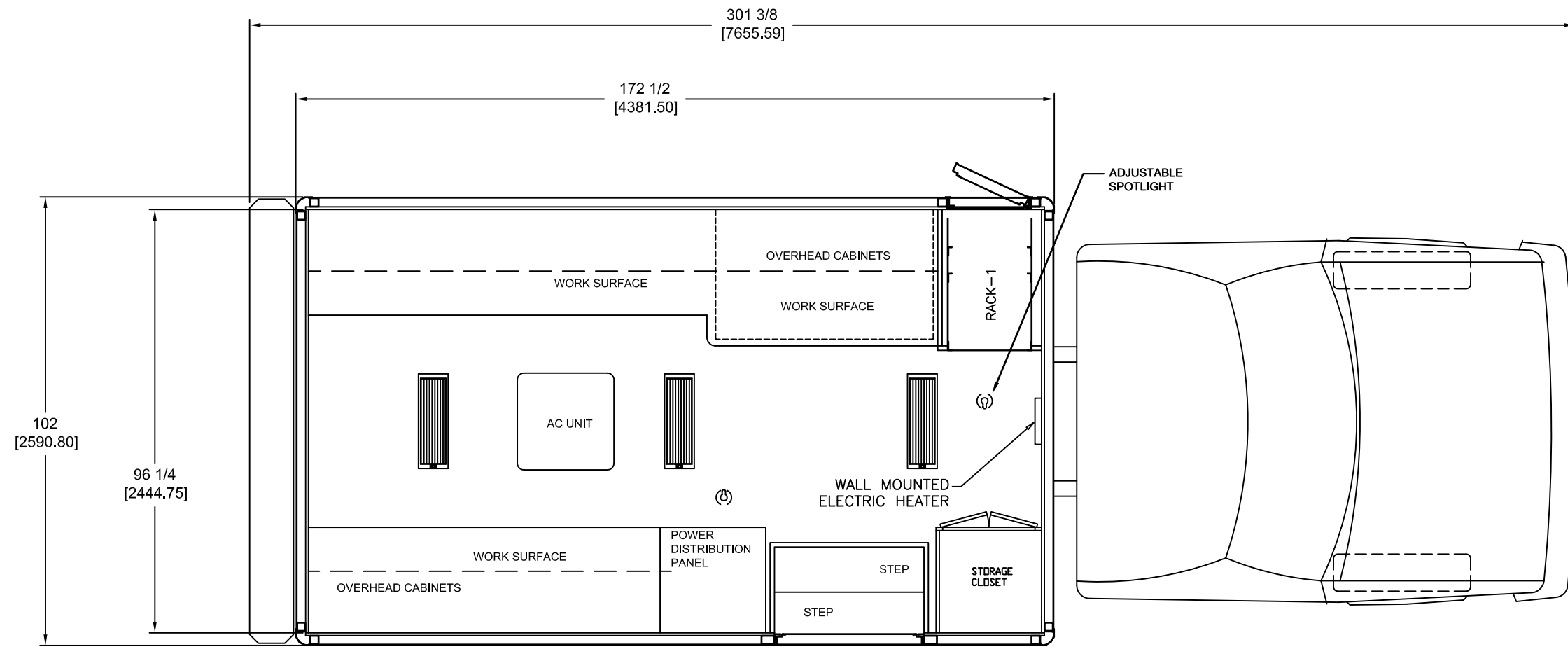
FRONTLINE COMMUNICATIONS
 12770 44th Street North
 Clearwater, FL 33762
 Phone (727) 573-0400
 www.frontlinecomm.com

OSHKOSH
 An Oshkosh Corporation Company

PRELIMINARY USE ONLY
 THIS DRAWING IS FOR REPRESENTATION ONLY. DETAILED ENGINEERING DRAWINGS WILL BE CREATED FOR MANUFACTURING. CHANGES MAY BE REQUIRED TO ACCOMMODATE MANUFACTURING REQUIREMENTS AND CUSTOMER SPECIFICATIONS.

C-25 MCV F-650
Mobile Command Vehicle
Proposal 2011

DRAWN	J.Chriss	DATE	10-04-10	SIZE	DWG NO.	REV
SHEET	2 OF 5	NOT TO SCALE		B	022403	-



FLOOR PLAN VIEW

THIS DRAWING IS THE PROPERTY OF FRONTLINE COMMUNICATIONS. IT IS CONFIDENTIAL AND ALL RIGHTS ARE RESERVED. IT SHALL NOT BE REPRODUCED, COPIED, LENT, OR USED FOR ANY PURPOSE OTHER THAN THAT FOR WHICH IT IS SPECIFICALLY FURNISHED.

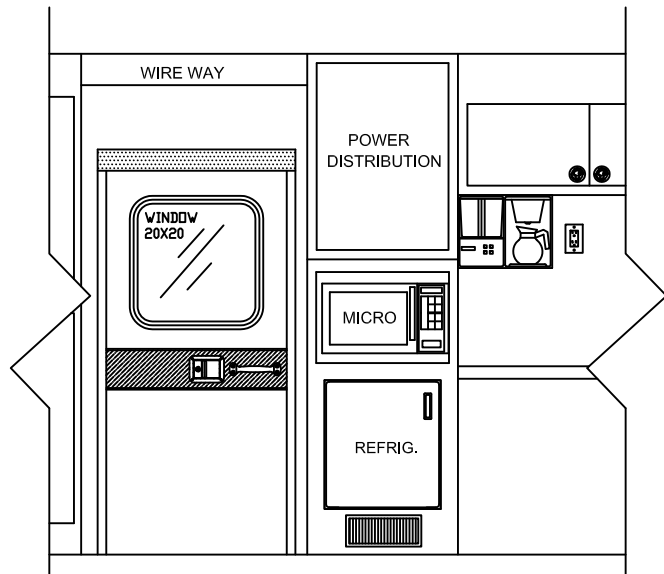
FRONTLINE COMMUNICATIONS
 An Oshkosh Corporation Company
 12770 44th Street North
 Clearwater, FL 33762
 Phone (727) 573-0400
 www.frontlinecomm.com



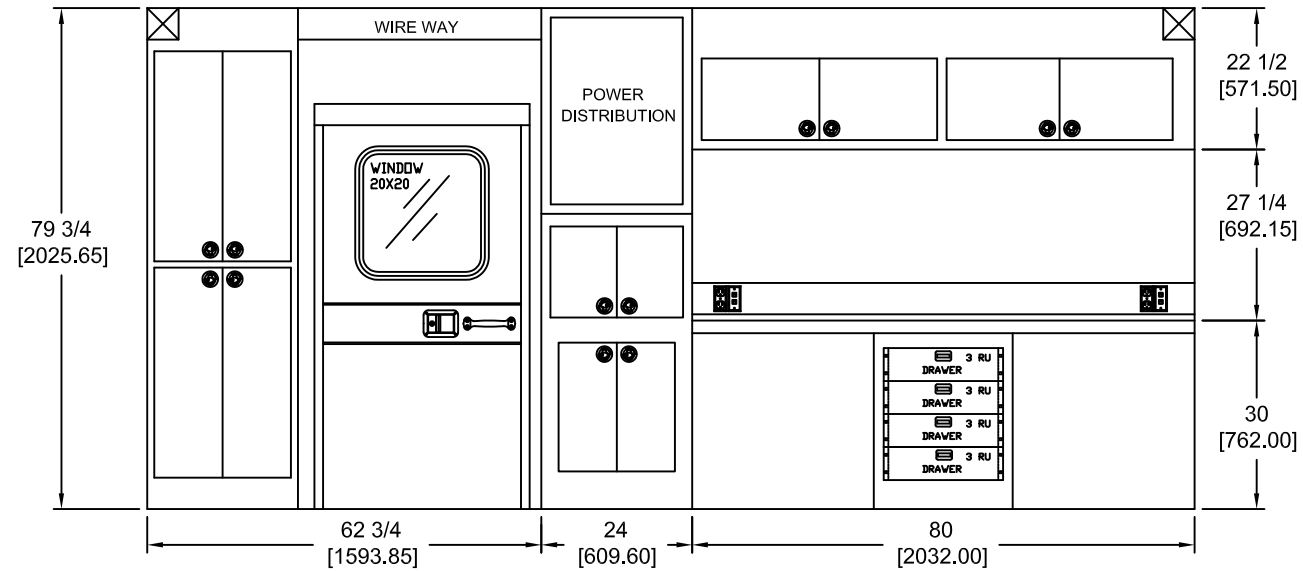
PRELIMINARY USE ONLY
 THIS DRAWING IS FOR REPRESENTATION ONLY. DETAILED ENGINEERING DRAWINGS WILL BE CREATED FOR MANUFACTURING. CHANGES MAY BE REQUIRED TO ACCOMMODATE MANUFACTURING REQUIREMENTS AND CUSTOMER SPECIFICATIONS.

C-25 MCV F-650
Mobile Command Vehicle
Proposal 2011

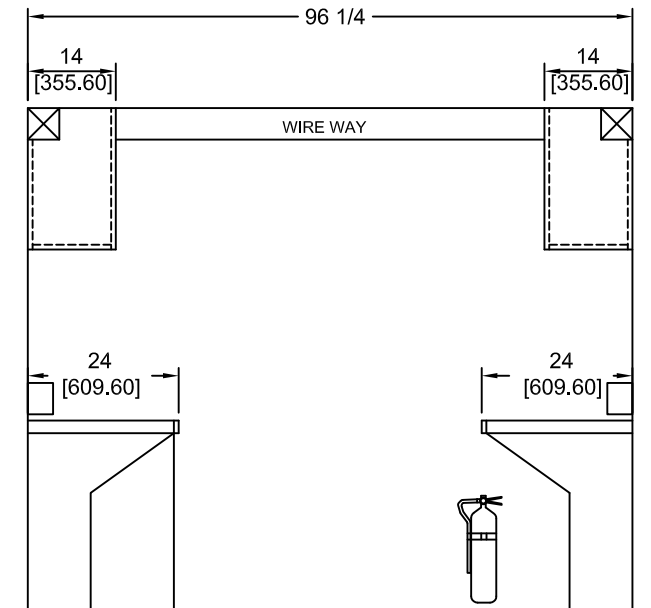
DRAWN	J.Chriss	DATE	10-04-10	SIZE	DWG NO.	REV
SHEET	3 OF 5	NOT TO SCALE		B	022403	-



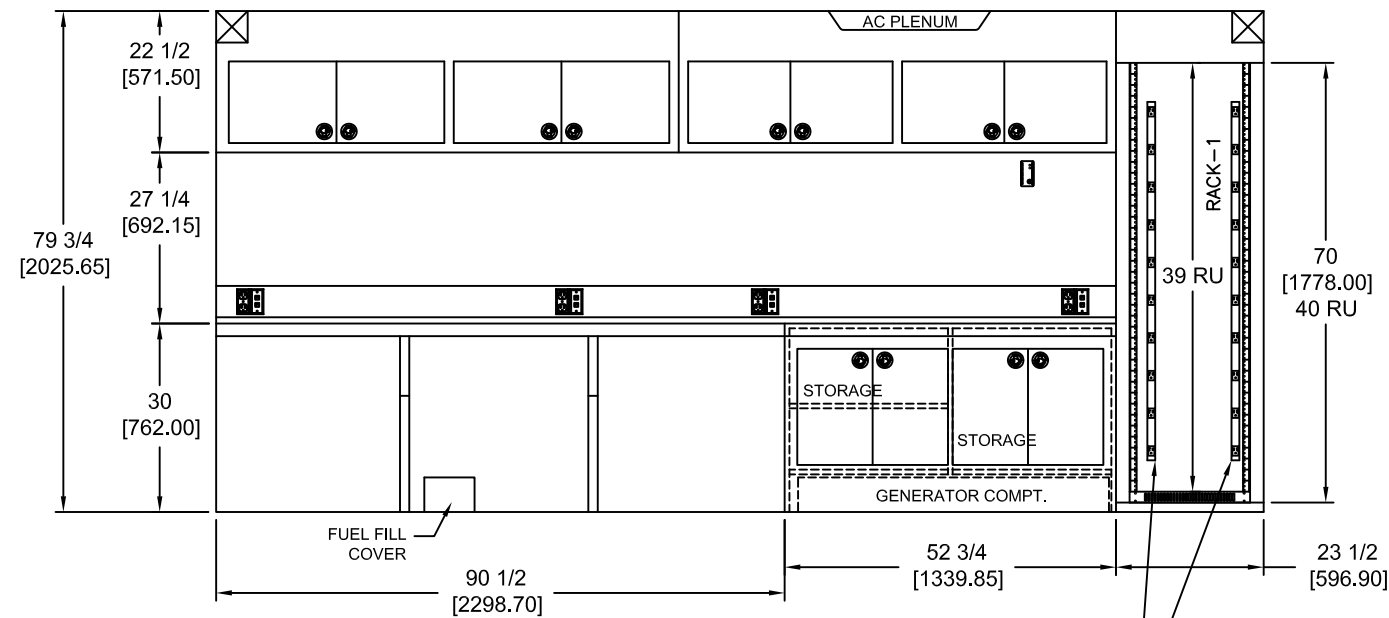
OPTIONAL
GALLEY WITH MICROWAVE
REFRIGERATOR AND COFFEE MAKER
(REPLACES STORAGE CABINETS)



CURBSIDE INTERIOR

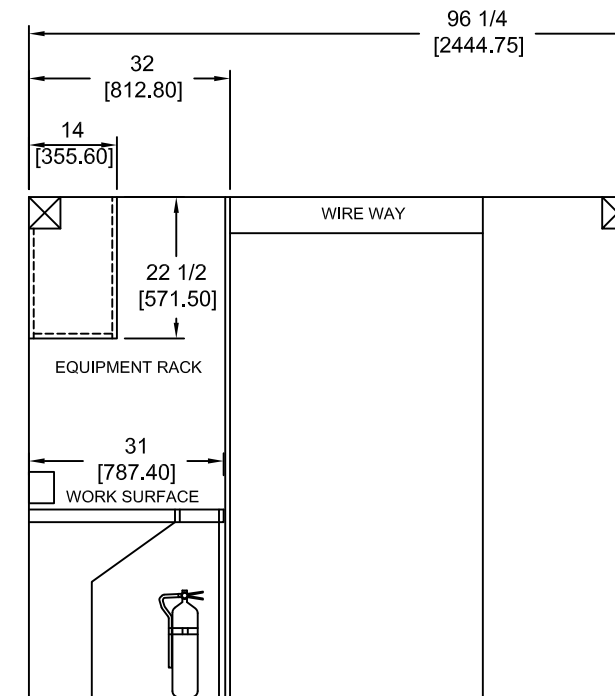


REAR WALL INTERIOR



STREETSIDE INTERIOR

THESE PLUG STRIPS ARE SHOWN ON THE BACK WALL FOR ILLUSTRATION PURPOSES - THEY ARE ACTUALLY MOUNTED TO EACH SIDE OF THE RACK BEHIND THE REAR RACK RAILS



FRONT WALL INTERIOR

THIS DRAWING IS THE PROPERTY OF FRONTLINE COMMUNICATIONS. IT IS CONFIDENTIAL AND ALL RIGHTS ARE RESERVED. IT SHALL NOT BE REPRODUCED, COPIED, LENT, OR USED FOR ANY PURPOSE OTHER THAN THAT FOR WHICH IT IS SPECIFICALLY FURNISHED.

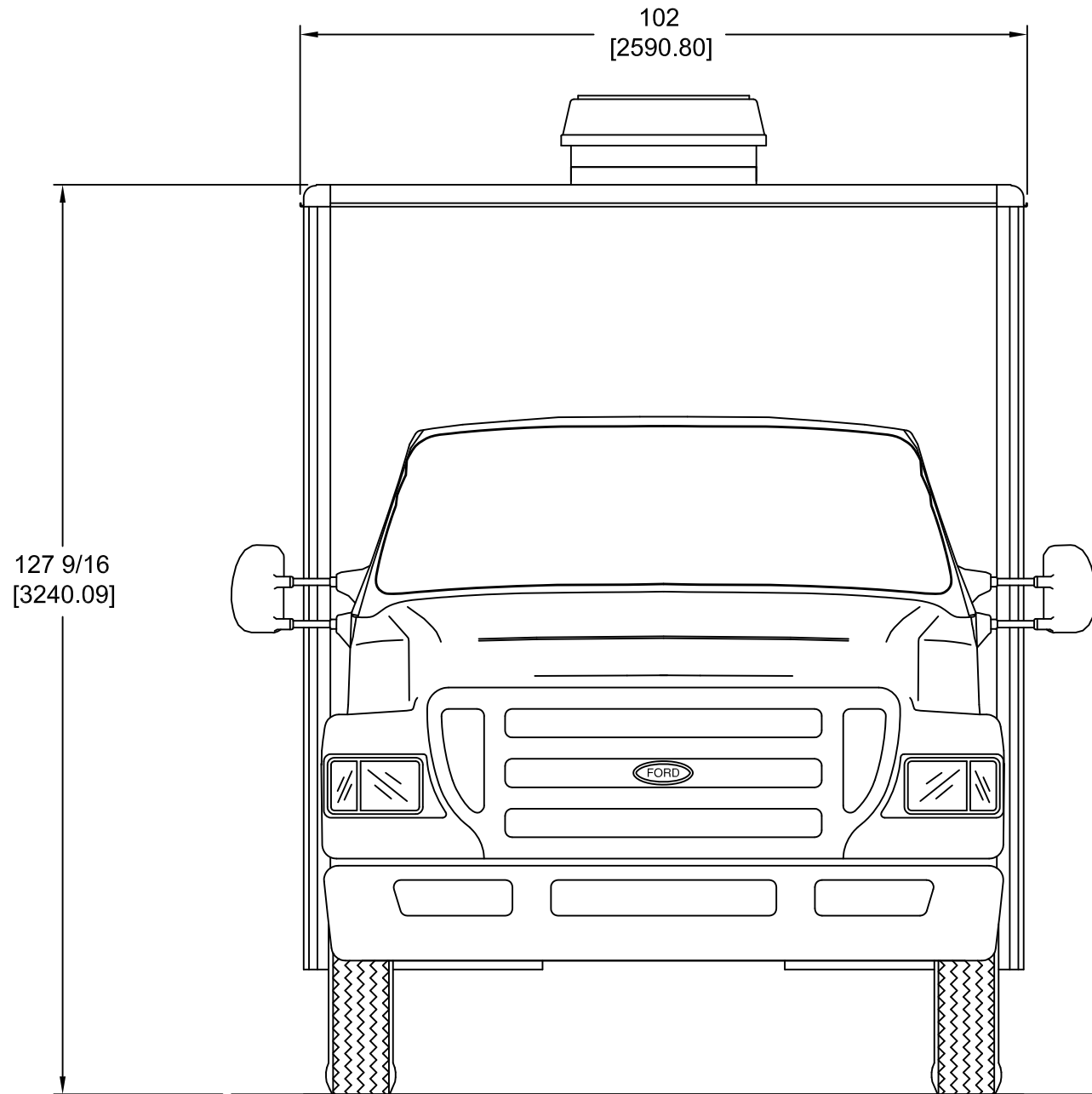
FRONTLINE COMMUNICATIONS
 12770 44th Street North
 Clearwater, FL 33762
 Phone (727) 573-0400
 www.frontlinecomm.com

OSHKOSH
 An Oshkosh Corporation Company

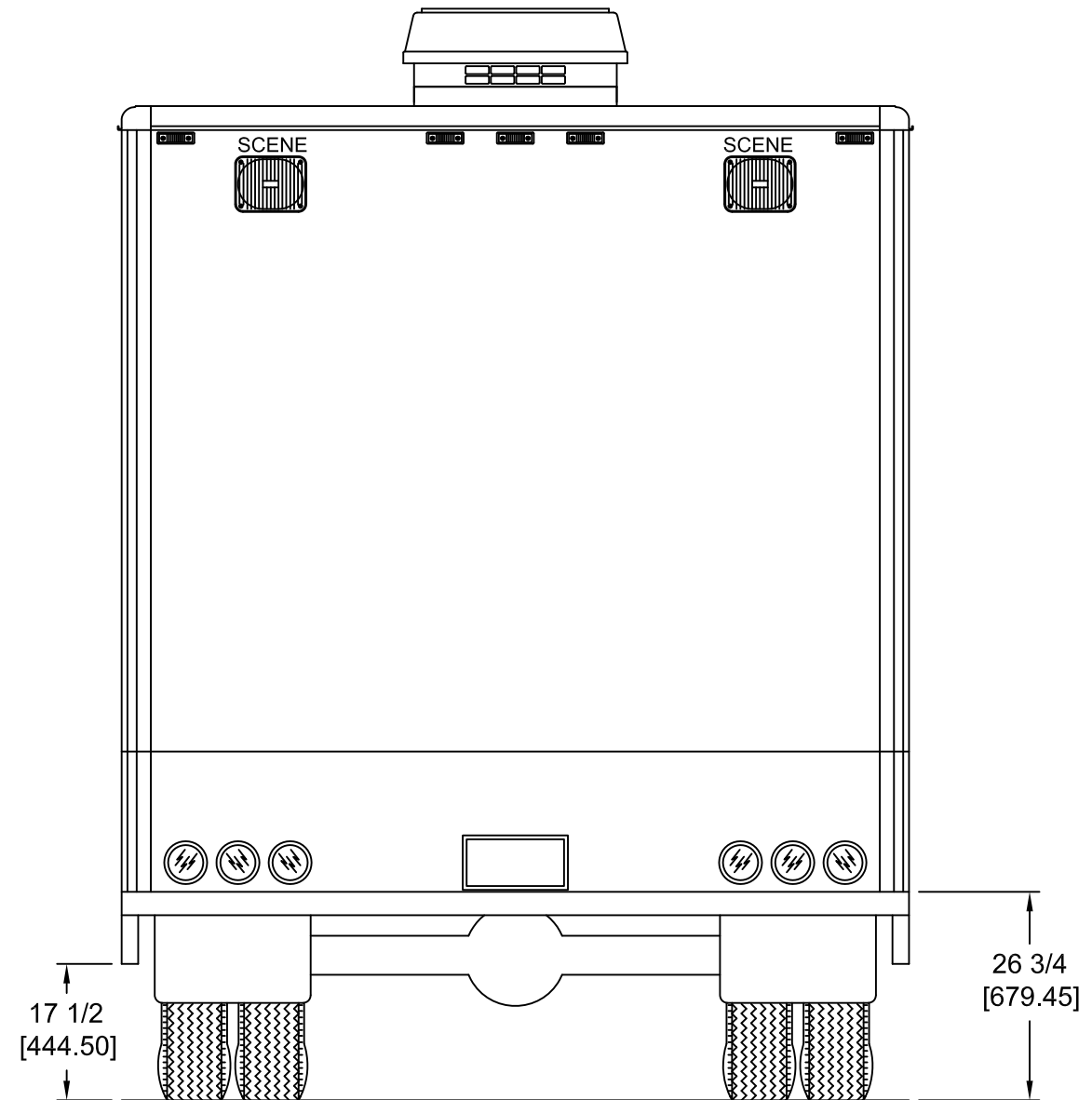
PRELIMINARY USE ONLY
 THIS DRAWING IS FOR REPRESENTATION ONLY. DETAILED ENGINEERING DRAWINGS WILL BE CREATED FOR MANUFACTURING. CHANGES MAY BE REQUIRED TO ACCOMMODATE MANUFACTURING REQUIREMENTS AND CUSTOMER SPECIFICATIONS.

C-25 MCV F-650
Mobile Command Vehicle
Proposal 2011

DRAWN	J.Chriss	DATE	10-04-10	SIZE	DWG NO.	REV
SHEET	4 OF 5	NOT TO SCALE		B	022403	-



FRONT EXTERIOR



REAR EXTERIOR

THIS DRAWING IS THE PROPERTY OF FRONTLINE COMMUNICATIONS. IT IS CONFIDENTIAL AND ALL RIGHTS ARE RESERVED. IT SHALL NOT BE REPRODUCED, COPIED, LENT, OR USED FOR ANY PURPOSE OTHER THAN THAT FOR WHICH IT IS SPECIFICALLY FURNISHED.

FRONTLINE COMMUNICATIONS
 12770 44th Street North
 Clearwater, FL 33762
 Phone (727) 573-0400
 www.frontlinecomm.com

OSHKOSH
 An Oshkosh Corporation Company

PRELIMINARY USE ONLY
 THIS DRAWING IS FOR REPRESENTATION ONLY. DETAILED ENGINEERING DRAWINGS WILL BE CREATED FOR MANUFACTURING. CHANGES MAY BE REQUIRED TO ACCOMMODATE MANUFACTURING REQUIREMENTS AND CUSTOMER SPECIFICATIONS.

C-25 MCV F-650
Mobile Command Vehicle
Proposal 2011

DRAWN	J.Chriss	DATE	10-04-10	SIZE	DWG NO.	REV
SHEET	5 OF 5		NOT TO SCALE	B	022403	-