

## CURB SIDE EXTERIOR ELEVATION

THIS DRAWING IS THE PROPERTY OF FRONTLINE COMMUNICATIONS. IT IS CONFIDENTIAL AND ALL RIGHTS ARE RESERVED. IT SHALL NOT BE REPRODUCED, COPIED, LENT, OR USED FOR ANY PURPOSE OTHER THAN THAT FOR WHICH IT IS SPECIFICALLY FURNISHED.

**PRELIMINARY USE ONLY**  
THIS DRAWING IS FOR REPRESENTATION ONLY. DETAILED ENGINEERING DRAWINGS WILL BE CREATED FOR MANUFACTURING. CHANGES MAY BE REQUIRED TO ACCOMMODATE MANUFACTURING REQUIREMENTS AND CUSTOMER SPECIFICATIONS.

DRAWN **J.Chriss**  
SHEET **1 OF 5**

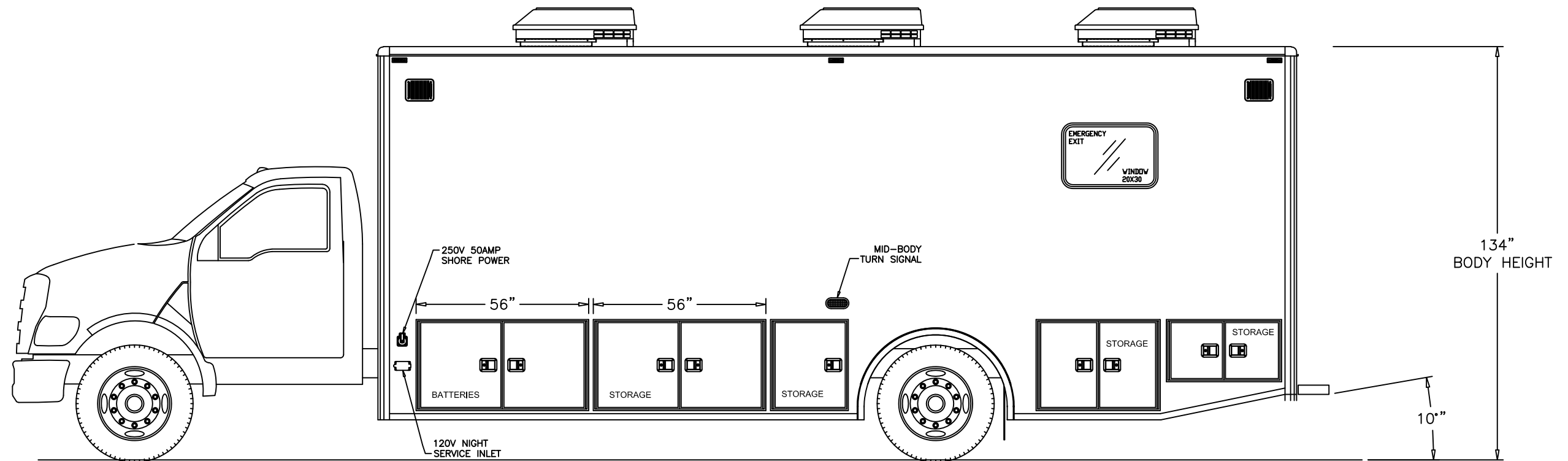
DATE **10/03/11**  
NOT TO SCALE

**FRONTLINE COMMUNICATIONS**  
An Oshkosh Corporation Company  
12770 44th Street North  
Clearwater, FL 33762  
Phone (727) 573-0400  
www.frontlinecomm.com

**C-35 MCV F-750**  
**Mobile Command Vehicle**  
**Proposal**

SIZE **B**  
DWG NO. **041283**

REV **-**



## STREET SIDE EXTERIOR ELEVATION

THIS DRAWING IS THE PROPERTY OF FRONTLINE COMMUNICATIONS. IT IS CONFIDENTIAL AND ALL RIGHTS ARE RESERVED. IT SHALL NOT BE REPRODUCED, COPIED, LENT, OR USED FOR ANY PURPOSE OTHER THAN THAT FOR WHICH IT IS SPECIFICALLY FURNISHED.

**PRELIMINARY USE ONLY**  
THIS DRAWING IS FOR REPRESENTATION ONLY. DETAILED ENGINEERING DRAWINGS WILL BE CREATED FOR MANUFACTURING. CHANGES MAY BE REQUIRED TO ACCOMMODATE MANUFACTURING REQUIREMENTS AND CUSTOMER SPECIFICATIONS.

DRAWN	J.Chriss	DATE	10/03/11
SHEET	2 OF 5	NOT TO SCALE	

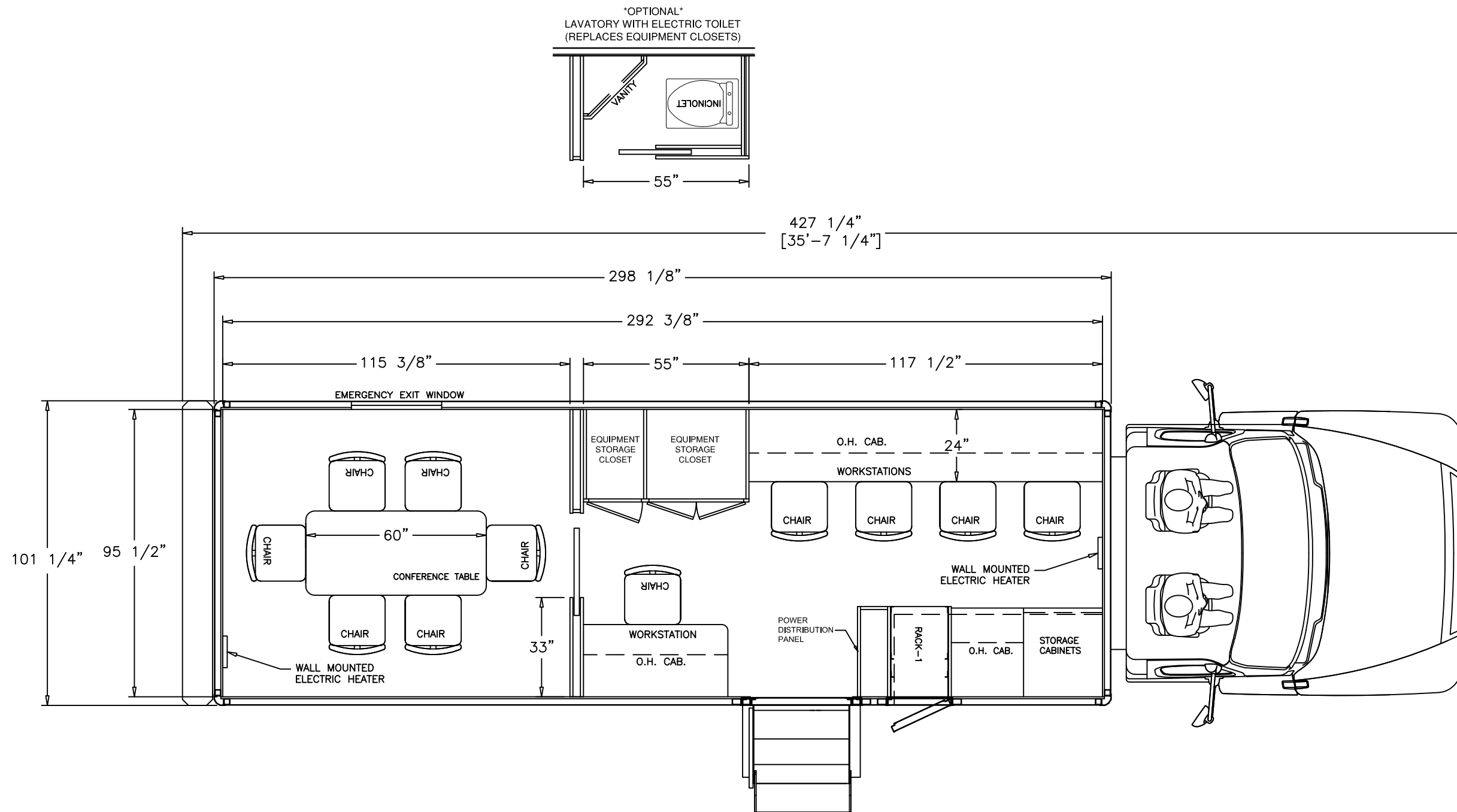
**FRONTLINE COMMUNICATIONS**  
An Oshkosh Corporation Company

12770 44th Street North  
Clearwater, FL 33762  
Phone (727) 573-0400  
www.frontlinecomm.com

**OSHKOSH**

**C-35 MCV F-750**  
**Mobile Command Vehicle**  
**Proposal**

SIZE	DWG NO.	REV
<b>B</b>	<b>041283</b>	<b>-</b>



THIS DRAWING IS THE PROPERTY OF FRONTLINE COMMUNICATIONS. IT IS CONFIDENTIAL AND ALL RIGHTS ARE RESERVED. IT SHALL NOT BE REPRODUCED, COPIED, LENT, OR USED FOR ANY PURPOSE OTHER THAN THAT FOR WHICH IT IS SPECIFICALLY FURNISHED.

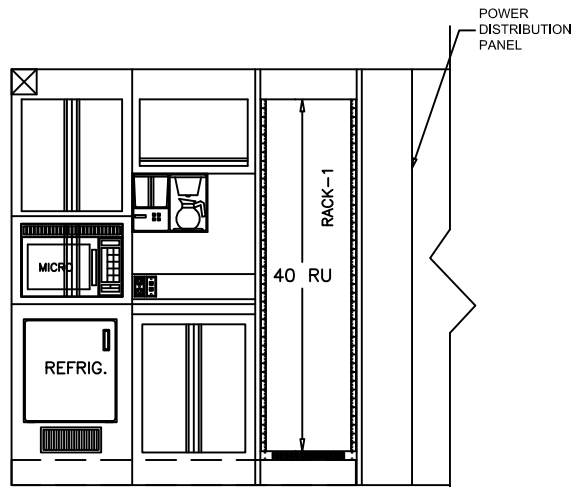
**FRONTLINE COMMUNICATIONS**  
An Oshkosh Corporation Company

12770 44th Street North  
Clearwater, FL 33762  
Phone (727) 573-0400  
www.frontlinecomm.com

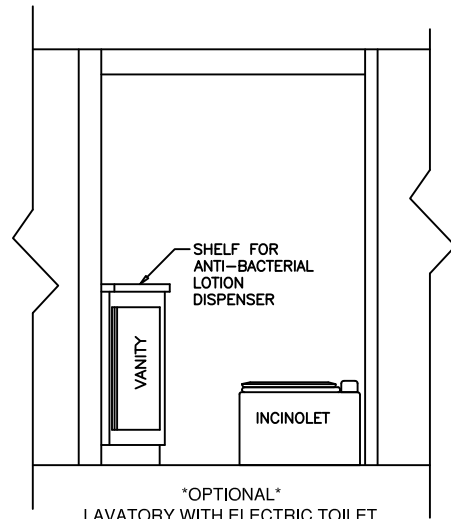
**PRELIMINARY USE ONLY**  
THIS DRAWING IS FOR REPRESENTATION ONLY. DETAILED ENGINEERING DRAWINGS WILL BE CREATED FOR MANUFACTURING. CHANGES MAY BE REQUIRED TO ACCOMMODATE MANUFACTURING REQUIREMENTS AND CUSTOMER SPECIFICATIONS.

## C-35 MCV F-750 Mobile Command Vehicle Proposal

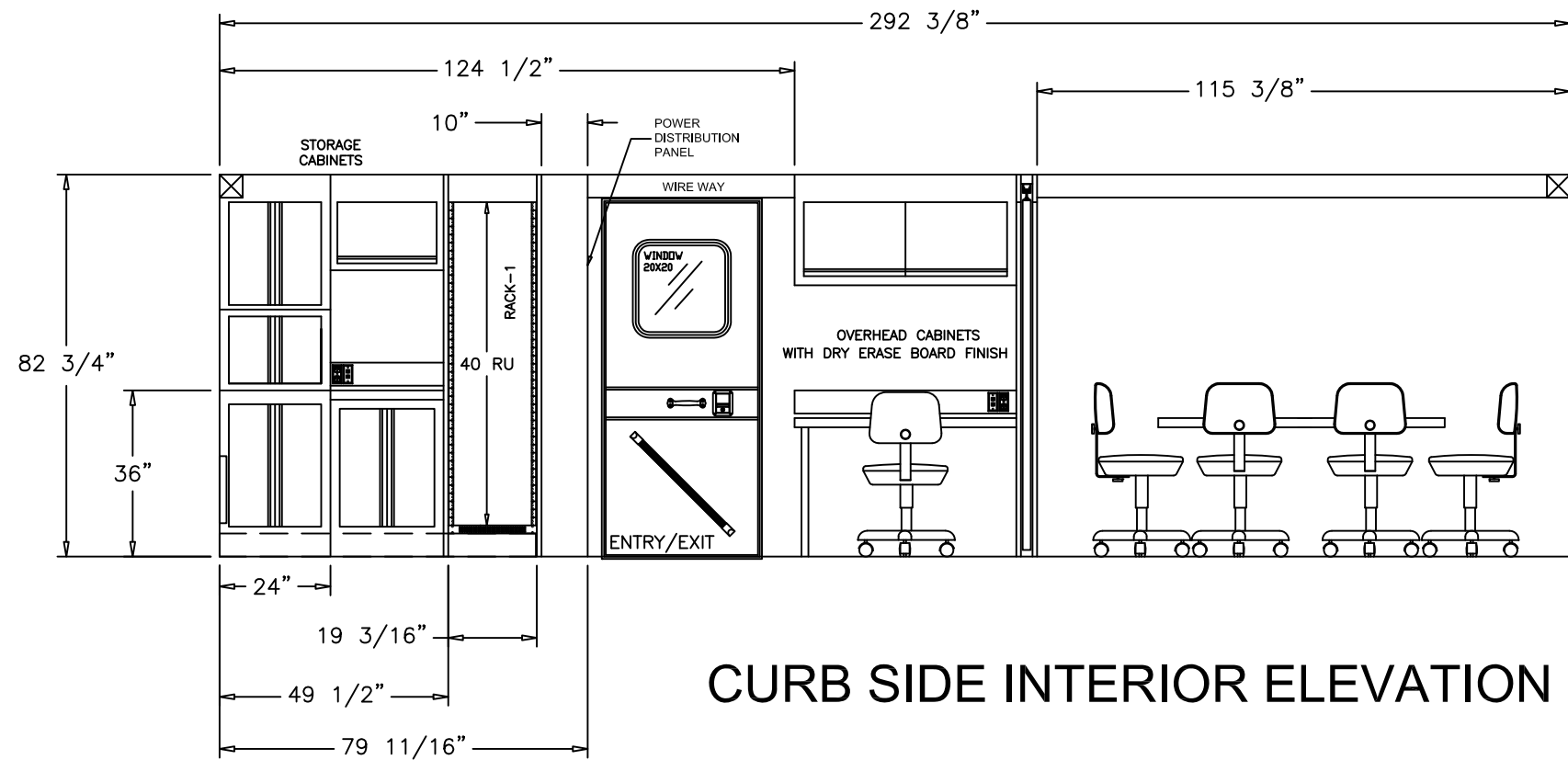
DRAWN	J.Chriss	DATE	10/03/11	SIZE	DWG NO.	REV
SHEET	3 OF 5	NOT TO SCALE	B	041283	-	-



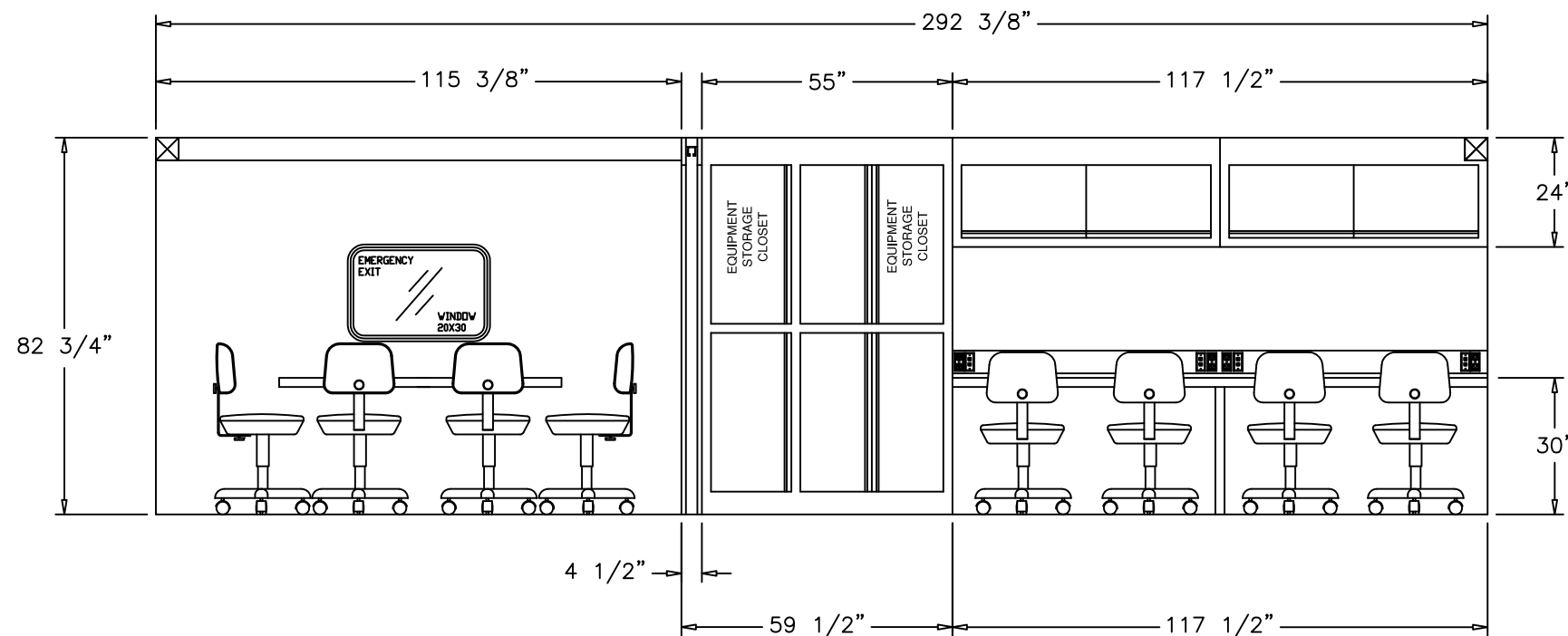
\*OPTIONAL\*  
GALLEY WITH MICROWAVE  
REFRIGERATOR AND COFFEE MAKER  
(REPLACES STORAGE CABINETS)



\*OPTIONAL\*  
LAVATORY WITH ELECTRIC TOILET  
(REPLACES EQUIPMENT CLOSETS)



**CURB SIDE INTERIOR ELEVATION**



**STREET SIDE INTERIOR ELEVATION**

THIS DRAWING IS THE PROPERTY OF FRONTLINE COMMUNICATIONS. IT IS CONFIDENTIAL AND ALL RIGHTS ARE RESERVED. IT SHALL NOT BE REPRODUCED, COPIED, LENT, OR USED FOR ANY PURPOSE OTHER THAN THAT FOR WHICH IT IS SPECIFICALLY FURNISHED.

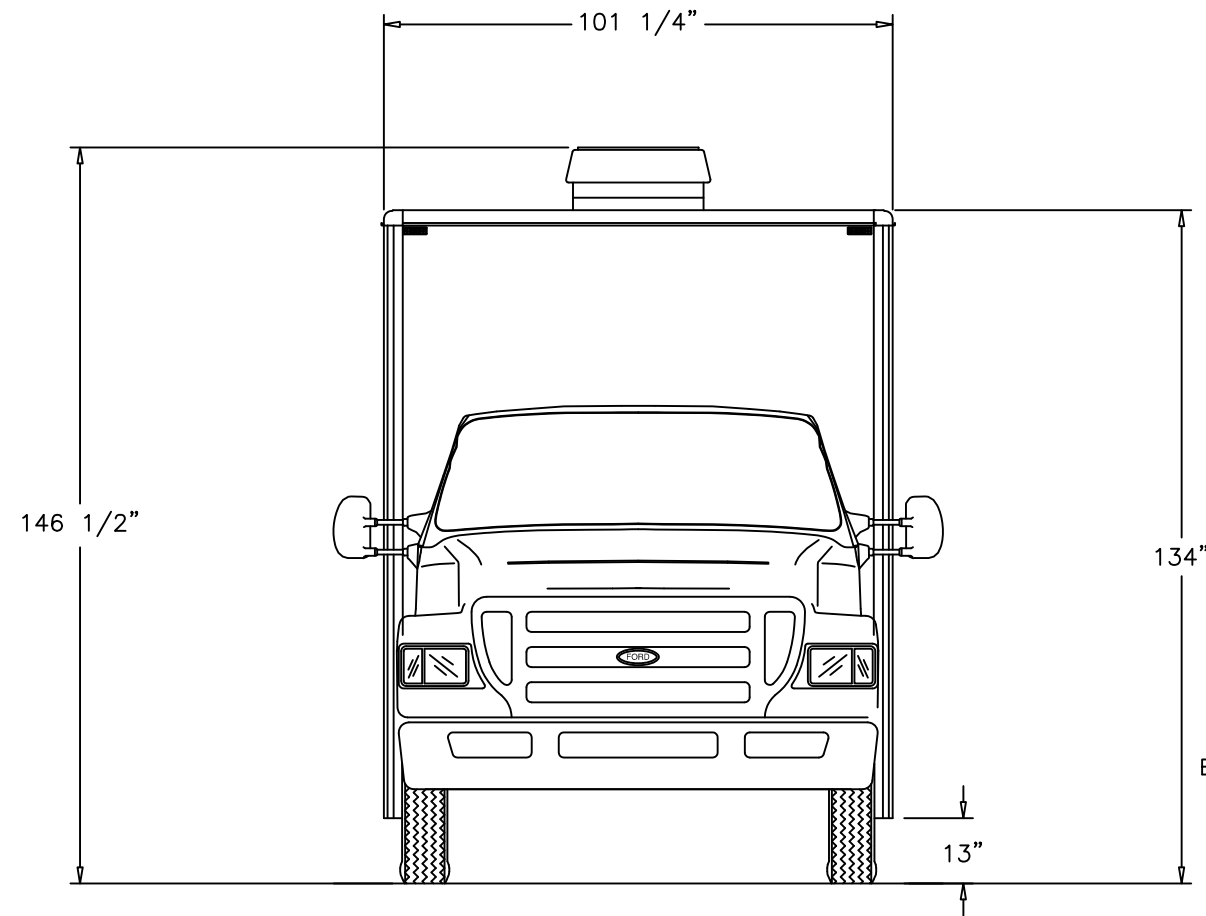
**FRONTLINE COMMUNICATIONS**  
An Oshkosh Corporation Company

12770 44th Street North  
Clearwater, FL 33762  
Phone (727) 573-0400  
www.frontlinecomm.com

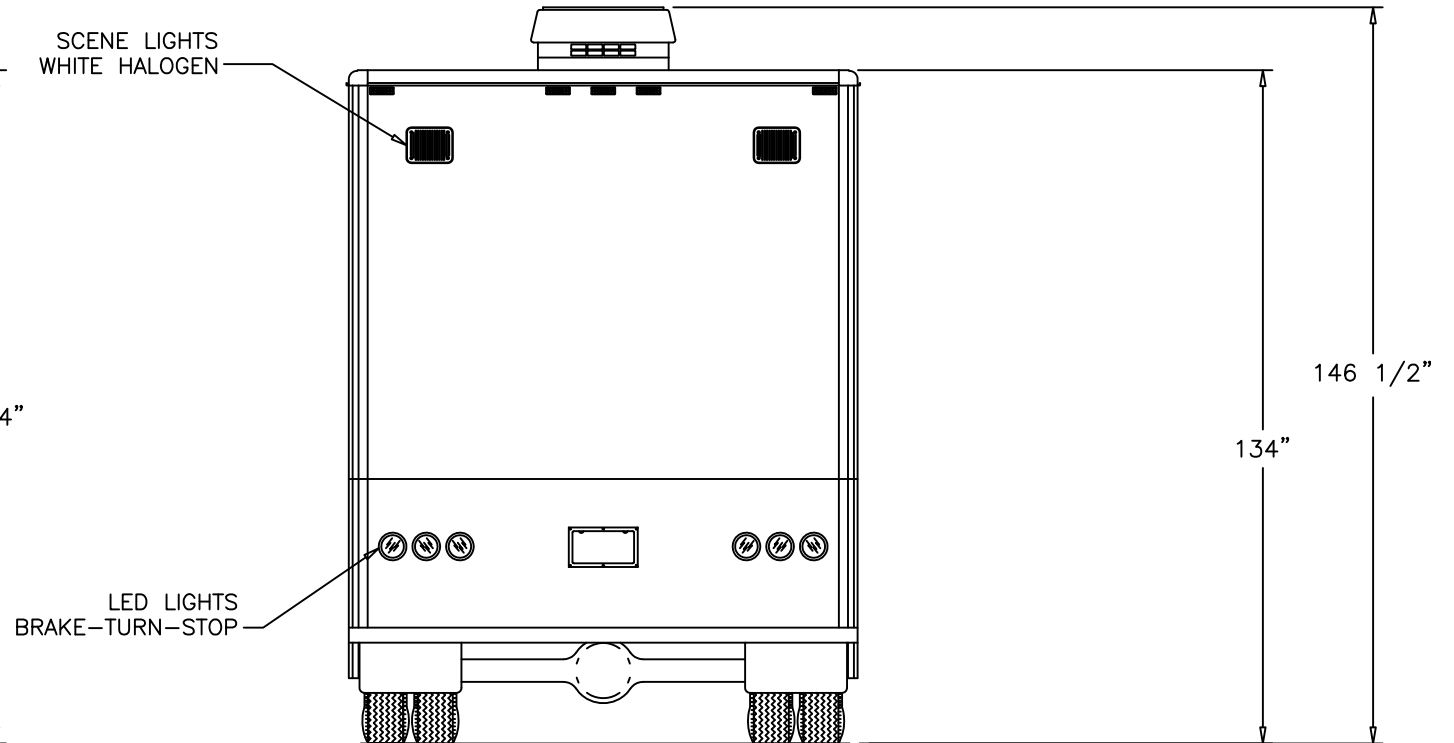
**PRELIMINARY USE ONLY**  
THIS DRAWING IS FOR REPRESENTATION ONLY. DETAILED ENGINEERING DRAWINGS WILL BE CREATED FOR MANUFACTURING. CHANGES MAY BE REQUIRED TO ACCOMMODATE MANUFACTURING REQUIREMENTS AND CUSTOMER SPECIFICATIONS.

**C-35 MCV F-750**  
**Mobile Command Vehicle**  
**Proposal**

DRAWN	J.Chriss	DATE	10/03/11	SIZE	DWG NO.	REV
SHEET	4 OF 5	NOT TO SCALE	B	041283	-	



FRONT EXTERIOR



REAR ELEVATION

THIS DRAWING IS THE PROPERTY OF FRONTLINE COMMUNICATIONS. IT IS CONFIDENTIAL AND ALL RIGHTS ARE RESERVED. IT SHALL NOT BE REPRODUCED, COPIED, LENT, OR USED FOR ANY PURPOSE OTHER THAN THAT FOR WHICH IT IS SPECIFICALLY FURNISHED.

**FRONTLINE COMMUNICATIONS**  
 12770 44th Street North  
 Clearwater, FL 33762  
 Phone (727) 573-0400  
 www.frontlinecomm.com

**OSHKOSH**  
 An Oshkosh Corporation Company

**PRELIMINARY USE ONLY**  
 THIS DRAWING IS FOR REPRESENTATION ONLY. DETAILED ENGINEERING DRAWINGS WILL BE CREATED FOR MANUFACTURING. CHANGES MAY BE REQUIRED TO ACCOMMODATE MANUFACTURING REQUIREMENTS AND CUSTOMER SPECIFICATIONS.

**C-35 MCV F-750**  
**Mobile Command Vehicle**  
**Proposal**

DRAWN	J.Chriss	DATE	10/03/11	SIZE	DWG NO.	REV
SHEET	5 OF 5	NOT TO SCALE		<b>B</b>	<b>041283</b>	-