

CURB SIDE EXTERIOR ELEVATION

THIS DRAWING IS THE PROPERTY OF FRONTLINE COMMUNICATIONS. IT IS CONFIDENTIAL AND ALL RIGHTS ARE RESERVED. IT SHALL NOT BE REPRODUCED, COPIED, LENT, OR USED FOR ANY PURPOSE OTHER THAN THAT FOR WHICH IT IS SPECIFICALLY FURNISHED.

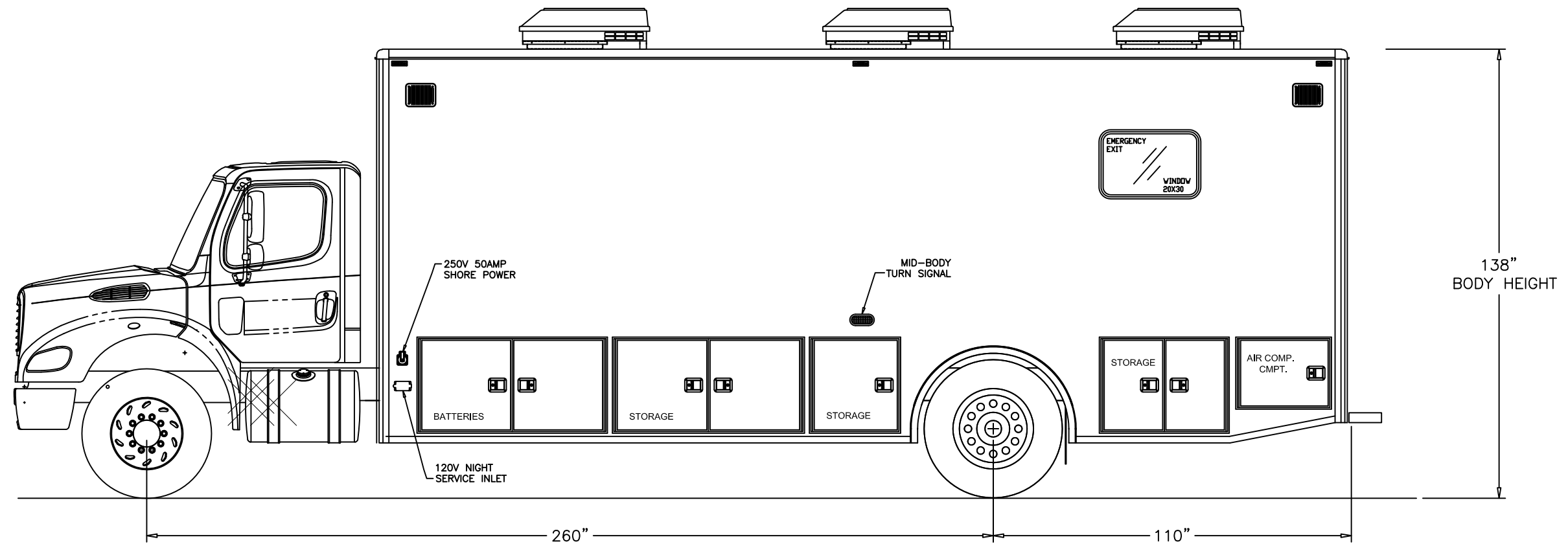
FRONTLINE COMMUNICATIONS
 An Oshkosh Corporation Company
 12770 44th Street North
 Clearwater, FL 33762
 Phone (727) 573-0400
 www.frontlinecomm.com



PRELIMINARY USE ONLY
 THIS DRAWING IS FOR REPRESENTATION ONLY. DETAILED ENGINEERING DRAWINGS WILL BE CREATED FOR MANUFACTURING. CHANGES MAY BE REQUIRED TO ACCOMMODATE MANUFACTURING REQUIREMENTS AND CUSTOMER SPECIFICATIONS.

C-35 MCV M2-106
Mobile Command Vehicle
Proposal

DRAWN	J.Chriss	DATE	10/03/11	SIZE	DWG NO.	REV
SHEET	1 OF 5		NOT TO SCALE	B	040340	-



STREET SIDE EXTERIOR ELEVATION

THIS DRAWING IS THE PROPERTY OF FRONTLINE COMMUNICATIONS. IT IS CONFIDENTIAL AND ALL RIGHTS ARE RESERVED. IT SHALL NOT BE REPRODUCED, COPIED, LENT, OR USED FOR ANY PURPOSE OTHER THAN THAT FOR WHICH IT IS SPECIFICALLY FURNISHED.

PRELIMINARY USE ONLY
THIS DRAWING IS FOR REPRESENTATION ONLY. DETAILED ENGINEERING DRAWINGS WILL BE CREATED FOR MANUFACTURING. CHANGES MAY BE REQUIRED TO ACCOMMODATE MANUFACTURING REQUIREMENTS AND CUSTOMER SPECIFICATIONS.

DRAWN	J.Chriss	DATE	10/03/11
SHEET	2 OF 5	NOT TO SCALE	

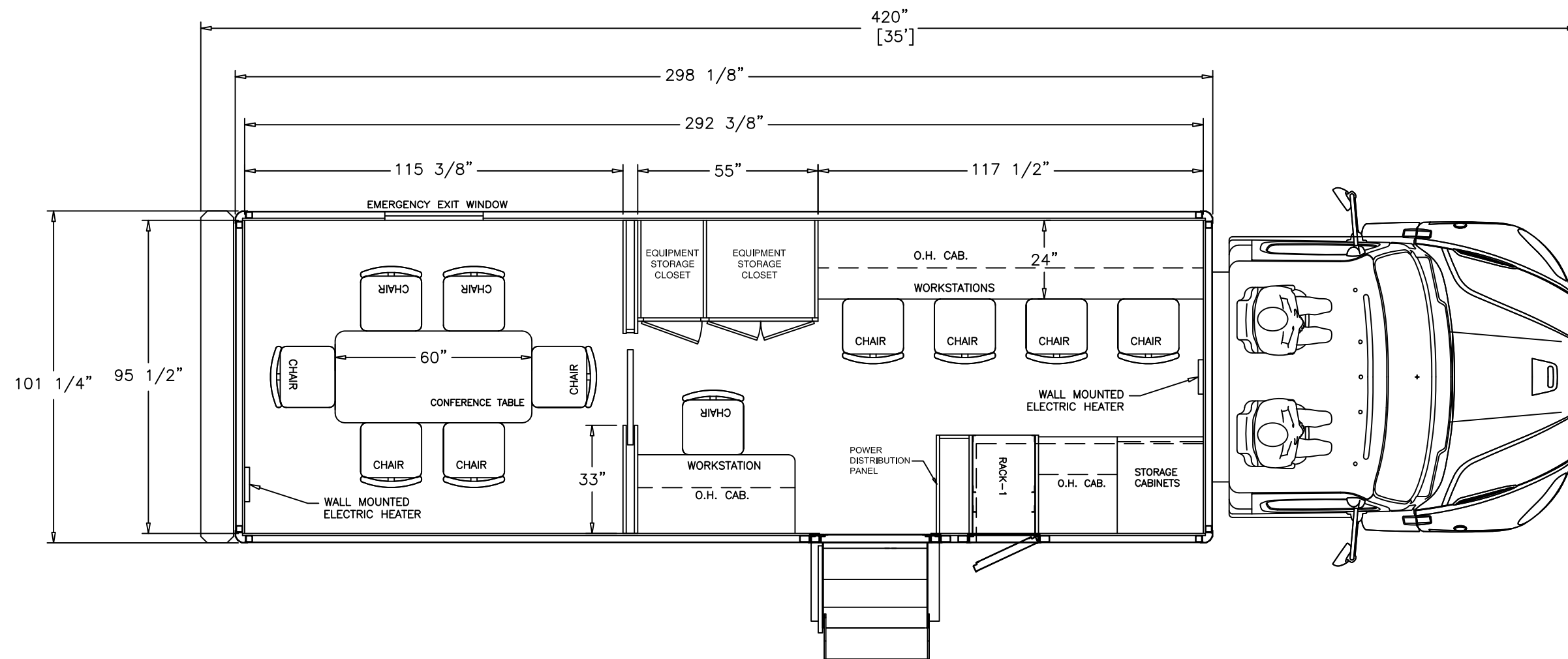
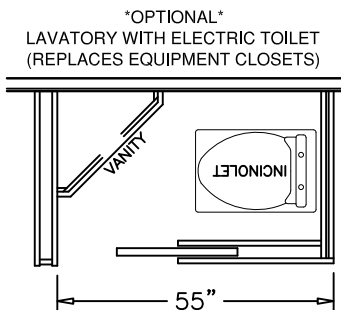
FRONTLINE COMMUNICATIONS
An Oshkosh Corporation Company

12770 44th Street North
Clearwater, FL 33762
Phone (727) 573-0400
www.frontlinecomm.com

OSHKOSH

C-35 MCV M2-106
Mobile Command Vehicle
Proposal

SIZE	DWG NO.	REV
B	040340	-



THIS DRAWING IS THE PROPERTY OF FRONTLINE COMMUNICATIONS. IT IS CONFIDENTIAL AND ALL RIGHTS ARE RESERVED. IT SHALL NOT BE REPRODUCED, COPIED, LENT, OR USED FOR ANY PURPOSE OTHER THAN THAT FOR WHICH IT IS SPECIFICALLY FURNISHED.

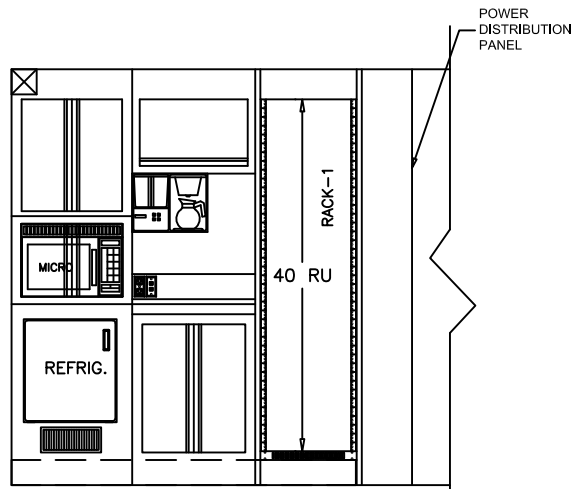
FRONTLINE COMMUNICATIONS
An Oshkosh Corporation Company

12770 44th Street North
Clearwater, FL 33762
Phone (727) 573-0400
www.frontlinecomm.com

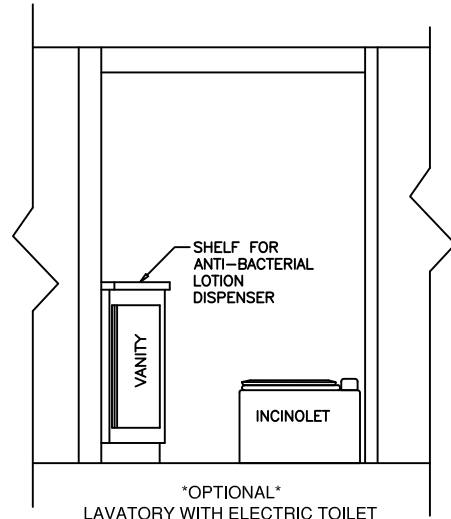
PRELIMINARY USE ONLY
THIS DRAWING IS FOR REPRESENTATION ONLY. DETAILED ENGINEERING DRAWINGS WILL BE CREATED FOR MANUFACTURING. CHANGES MAY BE REQUIRED TO ACCOMMODATE MANUFACTURING REQUIREMENTS AND CUSTOMER SPECIFICATIONS.

**C-35 MCV M2-106
Mobile Command Vehicle
Proposal**

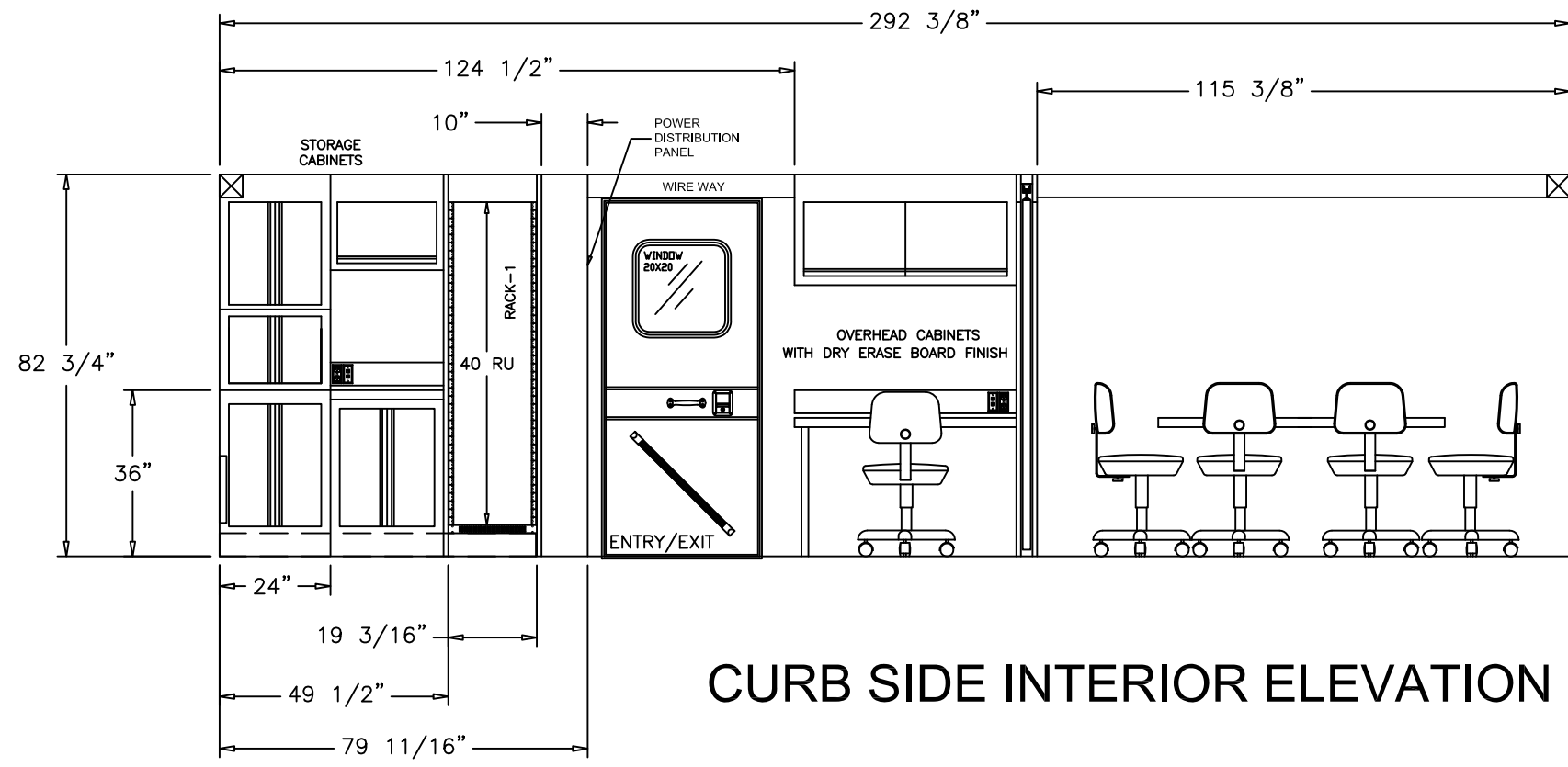
DRAWN	J.Chriss	DATE	10/03/11	SIZE	DWG NO.	REV
SHEET	3 OF 5	NOT TO SCALE		B	040340	-



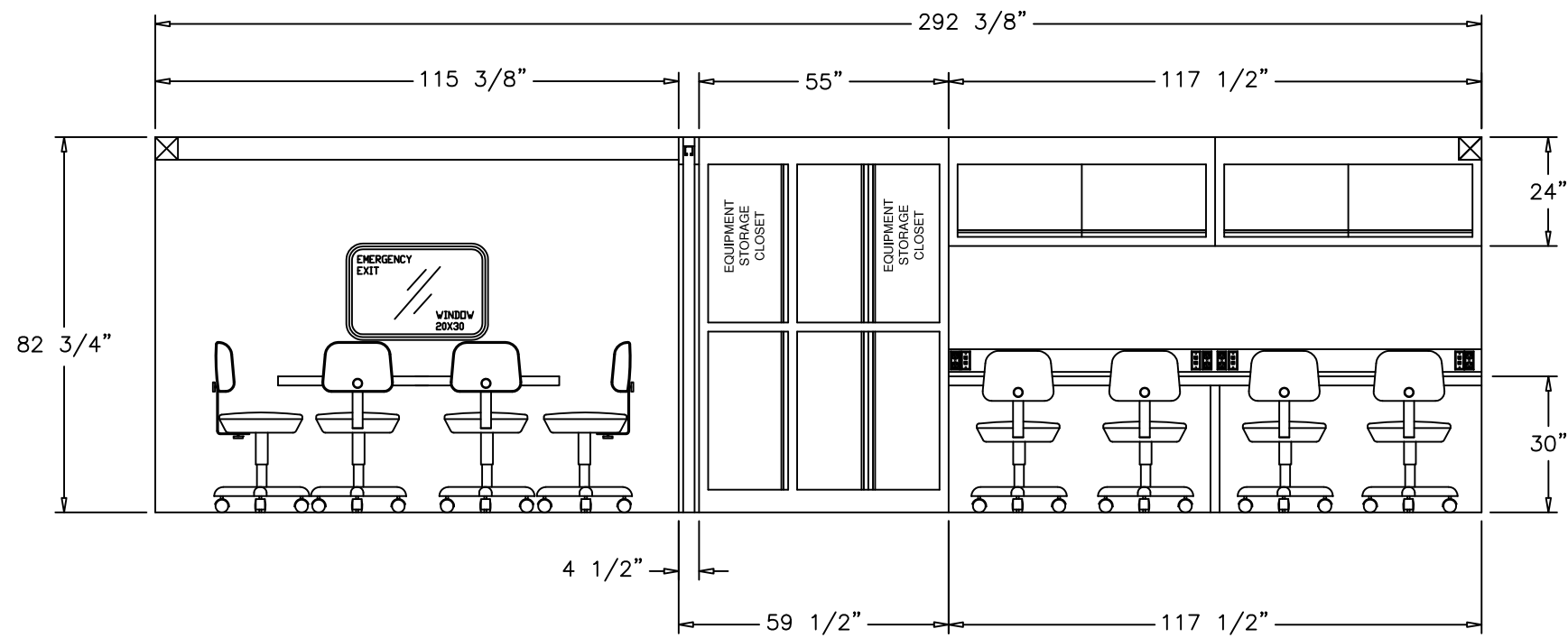
OPTIONAL
GALLEY WITH MICROWAVE
REFRIGERATOR AND COFFEE MAKER
(REPLACES STORAGE CABINETS)



OPTIONAL
LAVATORY WITH ELECTRIC TOILET
(REPLACES EQUIPMENT CLOSETS)



CURB SIDE INTERIOR ELEVATION



STREET SIDE INTERIOR ELEVATION

THIS DRAWING IS THE PROPERTY OF FRONTLINE COMMUNICATIONS. IT IS CONFIDENTIAL AND ALL RIGHTS ARE RESERVED. IT SHALL NOT BE REPRODUCED, COPIED, LENT, OR USED FOR ANY PURPOSE OTHER THAN THAT FOR WHICH IT IS SPECIFICALLY FURNISHED.

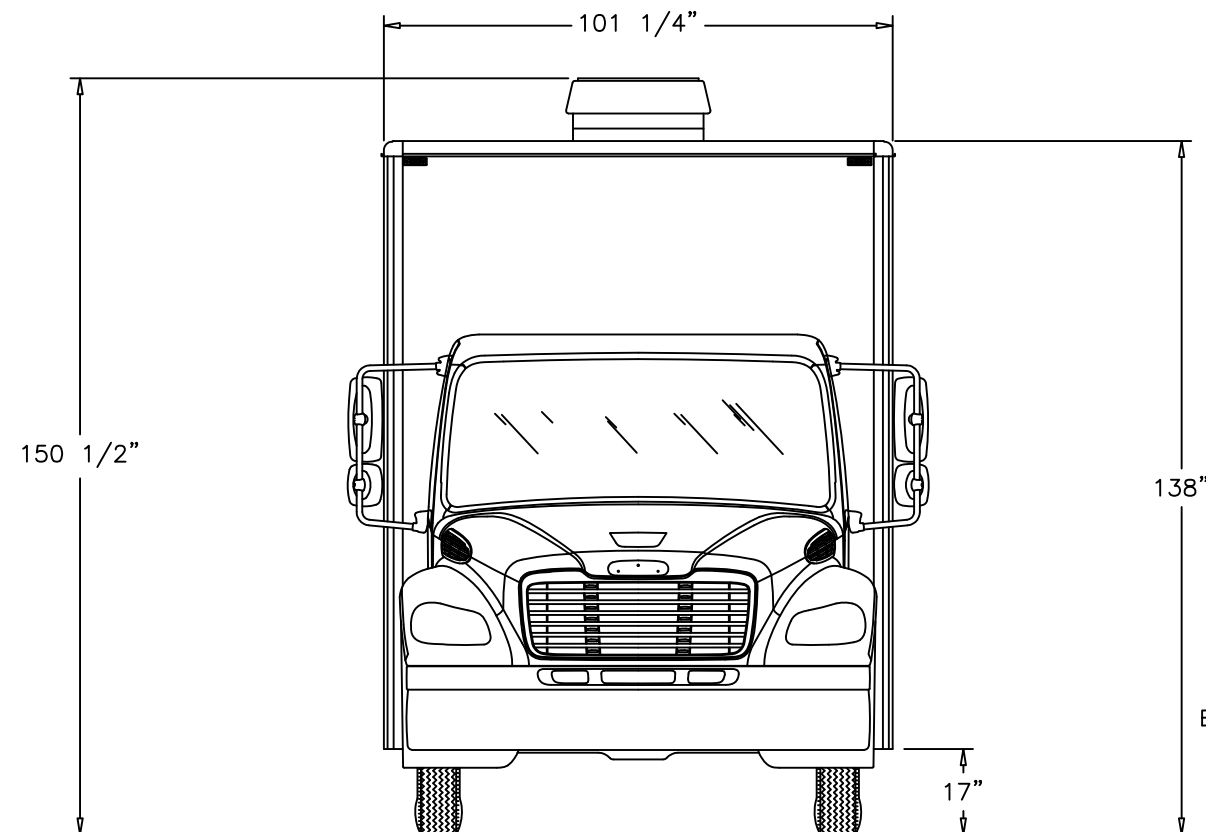
FRONTLINE COMMUNICATIONS
An Oshkosh Corporation Company

12770 44th Street North
Clearwater, FL 33762
Phone (727) 573-0400
www.frontlinecomm.com

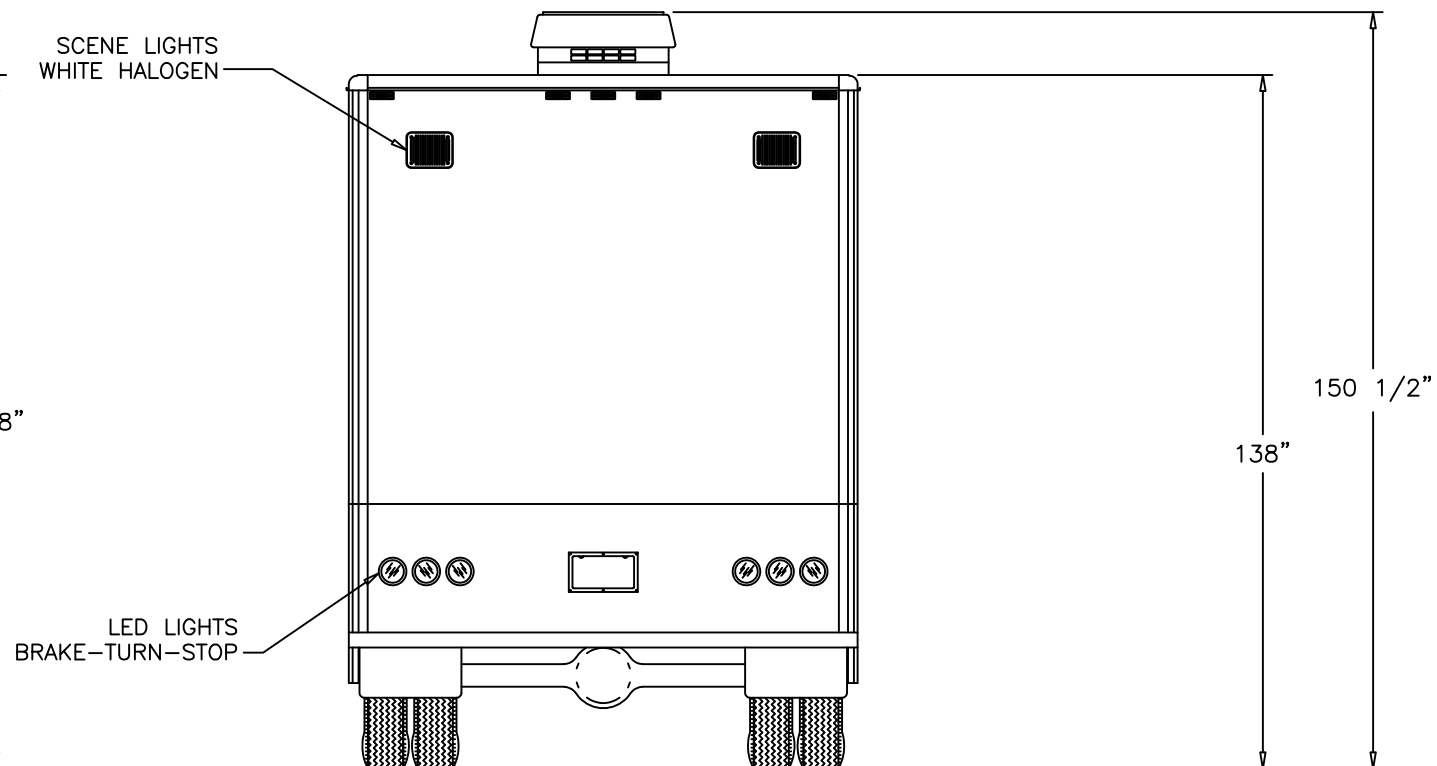
PRELIMINARY USE ONLY
THIS DRAWING IS FOR REPRESENTATION ONLY. DETAILED ENGINEERING DRAWINGS WILL BE CREATED FOR MANUFACTURING. CHANGES MAY BE REQUIRED TO ACCOMMODATE MANUFACTURING REQUIREMENTS AND CUSTOMER SPECIFICATIONS.

C-35 MCV M2-106
Mobile Command Vehicle
Proposal

DRAWN	J.Chriss	DATE	10/03/11	SIZE	DWG NO.	REV
SHEET	4 OF 5	NOT TO SCALE	B	040340	-	



FRONT EXTERIOR



REAR ELEVATION

<p>THIS DRAWING IS THE PROPERTY OF FRONTLINE COMMUNICATIONS. IT IS CONFIDENTIAL AND ALL RIGHTS ARE RESERVED. IT SHALL NOT BE REPRODUCED, COPIED, LENT, OR USED FOR ANY PURPOSE OTHER THAN THAT FOR WHICH IT IS SPECIFICALLY FURNISHED.</p>		<p>FRONTLINE COMMUNICATIONS 12770 44th Street North Clearwater, FL 33762 Phone (727) 573-0400 www.frontlinecomm.com</p>		<p>OSHKOSH An Oshkosh Corporation Company</p>	
<p>PRELIMINARY USE ONLY THIS DRAWING IS FOR REPRESENTATION ONLY. DETAILED ENGINEERING DRAWINGS WILL BE CREATED FOR MANUFACTURING. CHANGES MAY BE REQUIRED TO ACCOMMODATE MANUFACTURING REQUIREMENTS AND CUSTOMER SPECIFICATIONS.</p>		<p>C-35 MCV M2-106 Mobile Command Vehicle Proposal</p>			
DRAWN	J.Chriss	DATE	10/03/11	SIZE	DWG NO.
SHEET	5 OF 5		NOT TO SCALE	B	040340
					REV -