

## CURB SIDE EXTERIOR ELEVATION

THIS DRAWING IS THE PROPERTY OF FRONTLINE COMMUNICATIONS. IT IS CONFIDENTIAL AND ALL RIGHTS ARE RESERVED. IT SHALL NOT BE REPRODUCED, COPIED, LENT, OR USED FOR ANY PURPOSE OTHER THAN THAT FOR WHICH IT IS SPECIFICALLY FURNISHED.

PRELIMINARY USE ONLY  
THIS DRAWING IS FOR REPRESENTATION ONLY. DETAILED ENGINEERING DRAWINGS WILL BE CREATED FOR MANUFACTURING. CHANGES MAY BE REQUIRED TO ACCOMMODATE MANUFACTURING REQUIREMENTS AND CUSTOMER SPECIFICATIONS.

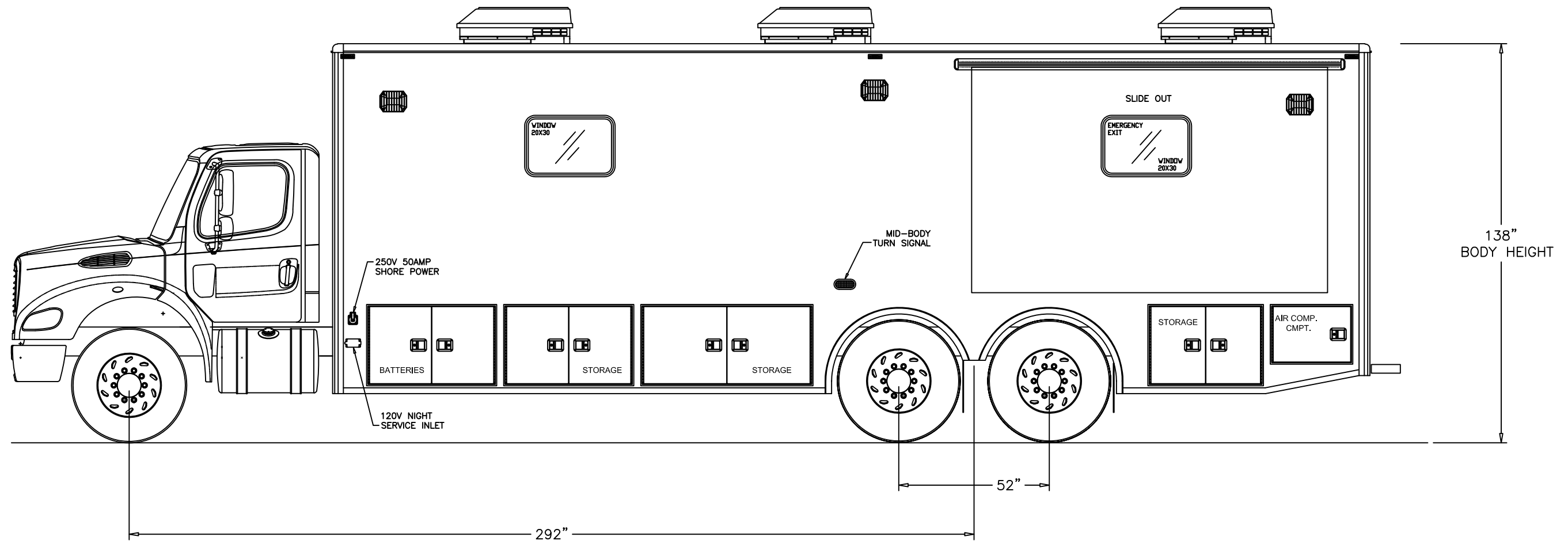
DRAWN	J.Chriss	DATE	9/15/10
SHEET	1 OF 5	NOT TO SCALE	

**FRONTLINE COMMUNICATIONS**  
An Oshkosh Corporation Company  
12770 44th Street North  
Clearwater, FL 33762  
Phone (727) 573-0400  
www.frontlinecomm.com



**C-40X-2 MCV M2-106**  
Mobile Command Vehicle  
Proposal 2011

SIZE	DWG NO.	REV
B	022386	-



## STREET SIDE EXTERIOR ELEVATION

THIS DRAWING IS THE PROPERTY OF FRONTLINE COMMUNICATIONS. IT IS CONFIDENTIAL AND ALL RIGHTS ARE RESERVED. IT SHALL NOT BE REPRODUCED, COPIED, LENT, OR USED FOR ANY PURPOSE OTHER THAN THAT FOR WHICH IT IS SPECIFICALLY FURNISHED.

PRELIMINARY USE ONLY  
THIS DRAWING IS FOR REPRESENTATION ONLY. DETAILED ENGINEERING DRAWINGS WILL BE CREATED FOR MANUFACTURING. CHANGES MAY BE REQUIRED TO ACCOMMODATE MANUFACTURING REQUIREMENTS AND CUSTOMER SPECIFICATIONS.

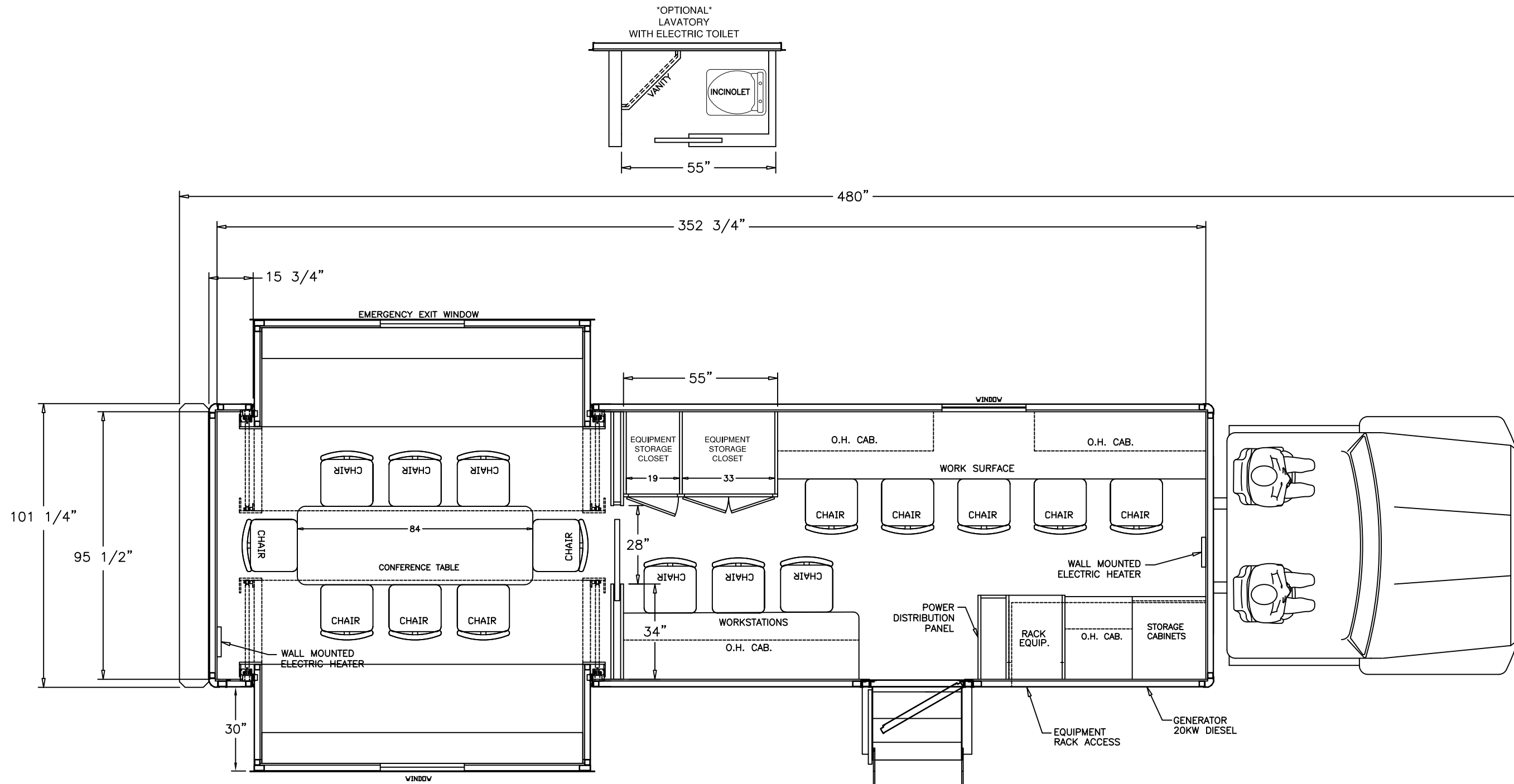
DRAWN	J.Chriss	DATE	9/15/10
SHEET	2 OF 5	NOT TO SCALE	

**FRONTLINE COMMUNICATIONS**  
An Oshkosh Corporation Company  
12770 44th Street North  
Clearwater, FL 33762  
Phone (727) 573-0400  
www.frontlinecomm.com



**C-40X-2 MCV M2-106**  
Mobile Command Vehicle  
Proposal 2011

SIZE	DWG NO.	REV
<b>B</b>	<b>022386</b>	-



THIS DRAWING IS THE PROPERTY OF FRONTLINE COMMUNICATIONS. IT IS CONFIDENTIAL AND ALL RIGHTS ARE RESERVED. IT SHALL NOT BE REPRODUCED, COPIED, LENT, OR USED FOR ANY PURPOSE OTHER THAN THAT FOR WHICH IT IS SPECIFICALLY FURNISHED.

**FRONTLINE COMMUNICATIONS**  
 12770 44th Street North  
 Clearwater, FL 33762  
 Phone (727) 573-0400  
 www.frontlinecomm.com

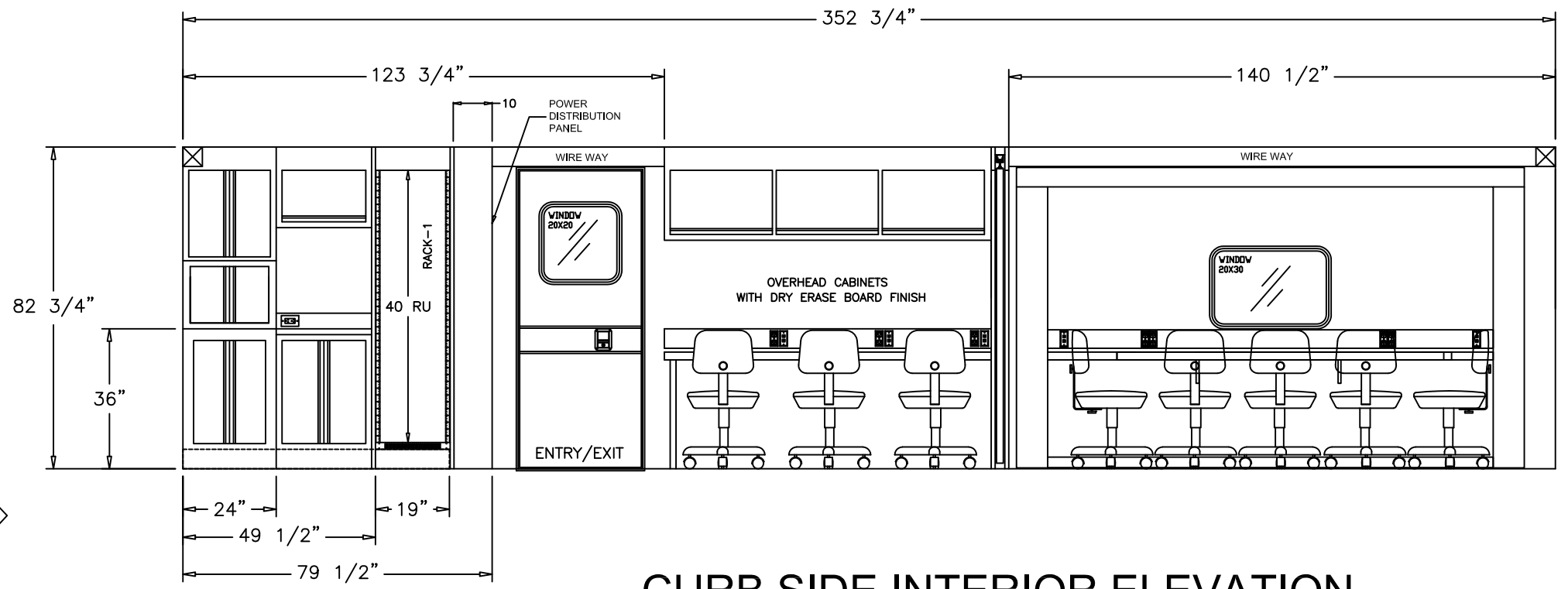
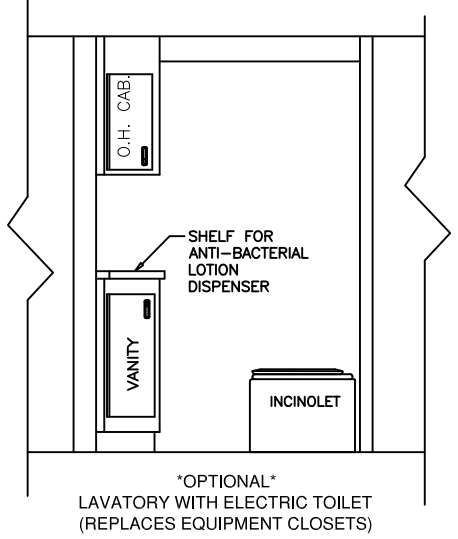
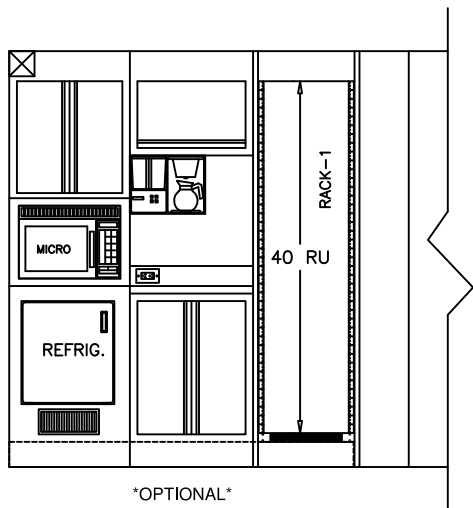
**OSHKOSH**  
 An Oshkosh Corporation Company

PRELIMINARY USE ONLY  
 THIS DRAWING IS FOR REPRESENTATION ONLY. DETAILED ENGINEERING DRAWINGS WILL BE CREATED FOR MANUFACTURING. CHANGES MAY BE REQUIRED TO ACCOMMODATE MANUFACTURING REQUIREMENTS AND CUSTOMER SPECIFICATIONS.

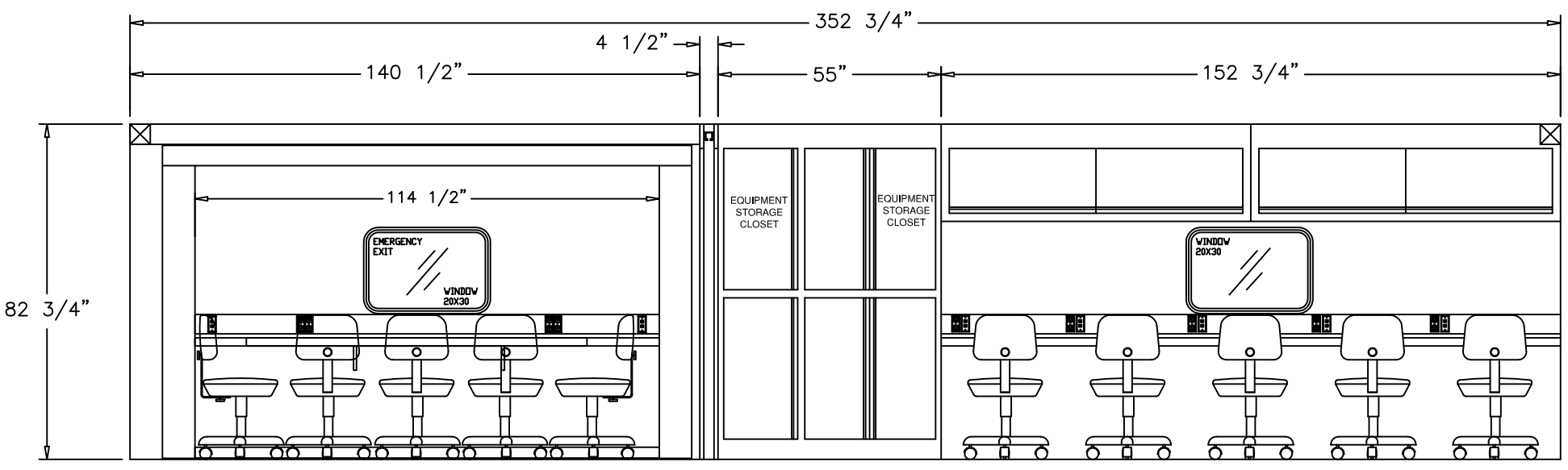
**C-40X-2 MCV M2-106**  
**Mobile Command Vehicle**  
**Proposal 2011**

DRAWN	J.Chriss	DATE	9/15/10
SHEET	3 OF 5	NOT TO SCALE	

SIZE	DWG NO.	REV
B	022386	-



CURB SIDE INTERIOR ELEVATION



STREET SIDE INTERIOR ELEVATION

THIS DRAWING IS THE PROPERTY OF FRONTLINE COMMUNICATIONS. IT IS CONFIDENTIAL AND ALL RIGHTS ARE RESERVED. IT SHALL NOT BE REPRODUCED, COPIED, LENT, OR USED FOR ANY PURPOSE OTHER THAN THAT FOR WHICH IT IS SPECIFICALLY FURNISHED.

**FRONTLINE COMMUNICATIONS**  
 An Oshkosh Corporation Company

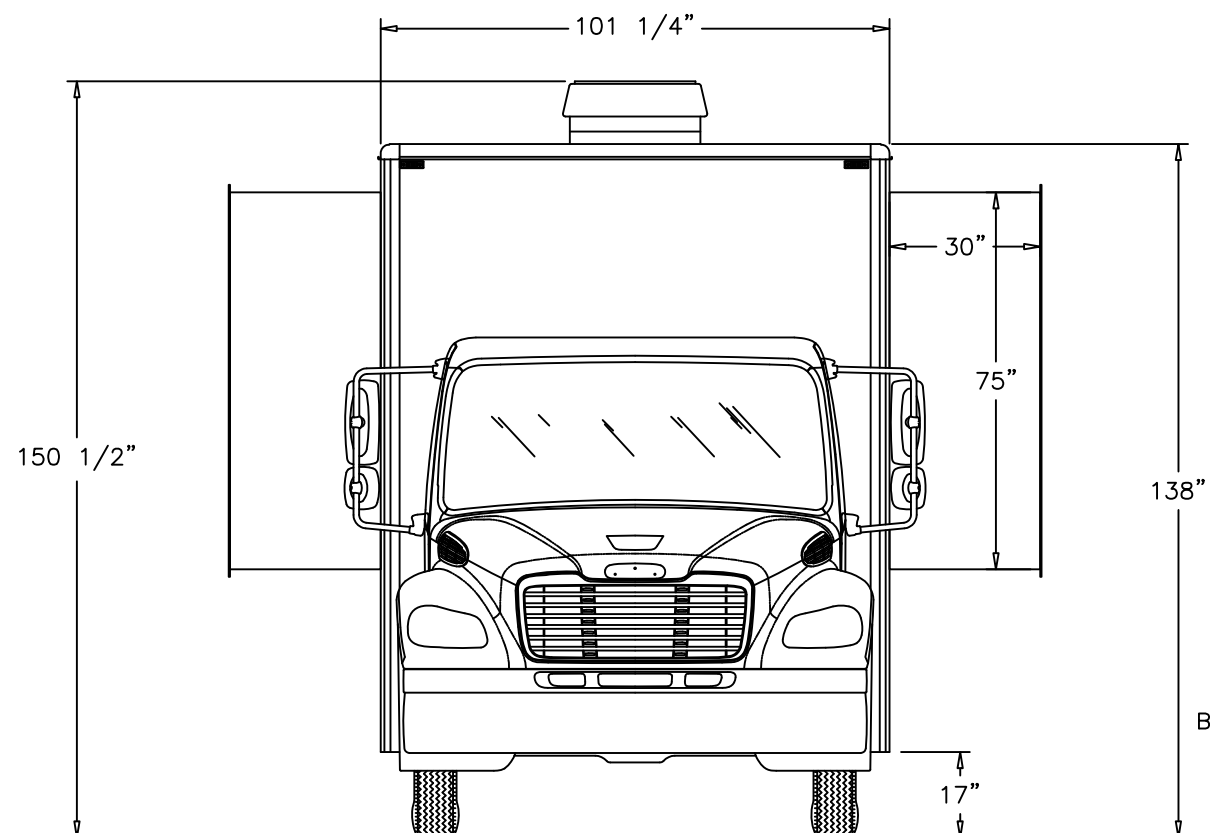
12770 44th Street North  
 Clearwater, FL 33762  
 Phone (727) 573-0400  
 www.frontlinecomm.com

**OSHKOSH**

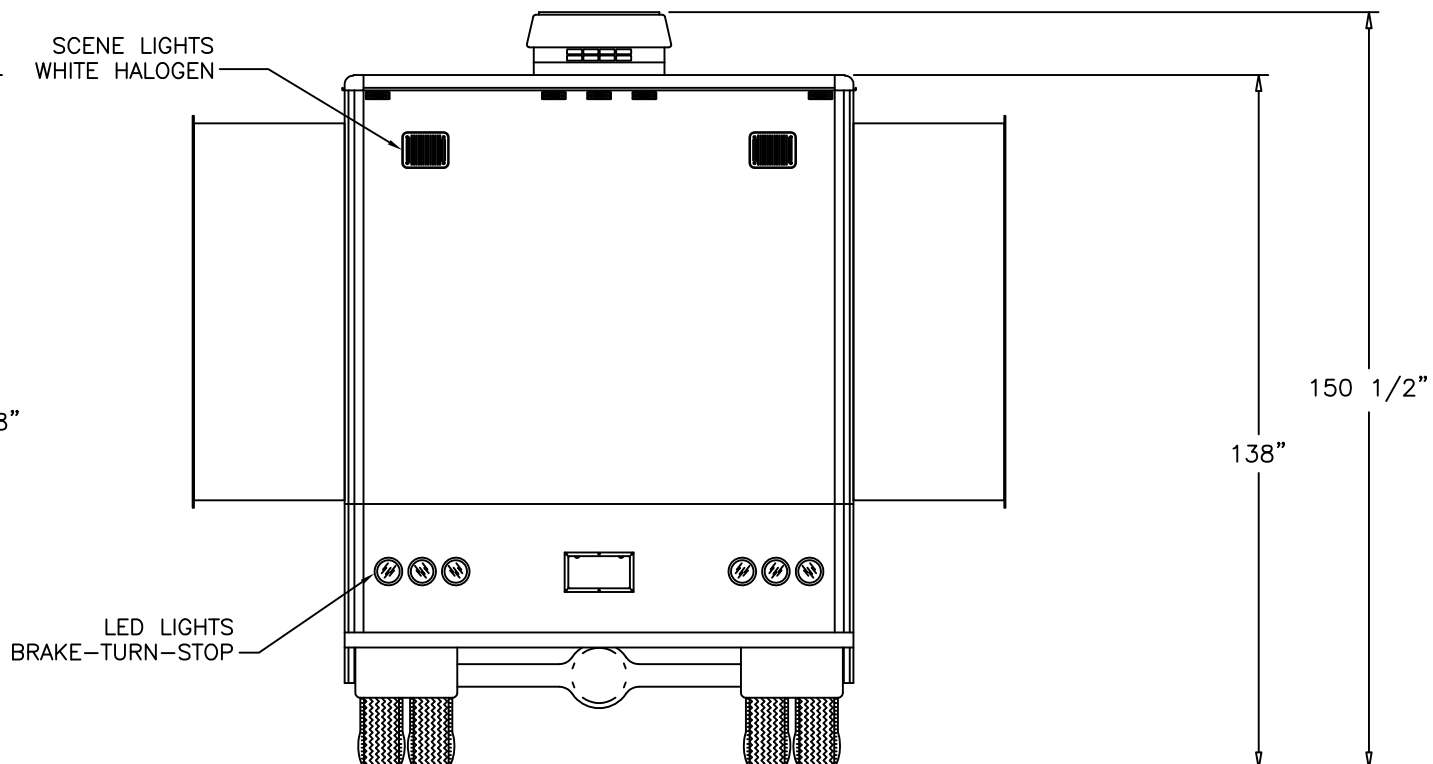
PRELIMINARY USE ONLY  
 THIS DRAWING IS FOR REPRESENTATION ONLY. DETAILED ENGINEERING DRAWINGS WILL BE CREATED FOR MANUFACTURING. CHANGES MAY BE REQUIRED TO ACCOMMODATE MANUFACTURING REQUIREMENTS AND CUSTOMER SPECIFICATIONS.

**C-40X-2 MCV M2-106**  
 Mobile Command Vehicle  
 Proposal 2011

DRAWN	J.Chriss	DATE	9/15/10	SIZE	DWG NO.	REV
SHEET	4 OF 5	NOT TO SCALE	B	022386	-	



FRONT EXTERIOR



REAR ELEVATION

THIS DRAWING IS THE PROPERTY OF FRONTLINE COMMUNICATIONS. IT IS CONFIDENTIAL AND ALL RIGHTS ARE RESERVED. IT SHALL NOT BE REPRODUCED, COPIED, LENT, OR USED FOR ANY PURPOSE OTHER THAN THAT FOR WHICH IT IS SPECIFICALLY FURNISHED.

**FRONTLINE COMMUNICATIONS**  
 12770 44th Street North  
 Clearwater, FL 33762  
 Phone (727) 573-0400  
 www.frontlinecomm.com

**OSHKOSH**  
 An Oshkosh Corporation Company

PRELIMINARY USE ONLY  
 THIS DRAWING IS FOR REPRESENTATION ONLY. DETAILED ENGINEERING DRAWINGS WILL BE CREATED FOR MANUFACTURING. CHANGES MAY BE REQUIRED TO ACCOMMODATE MANUFACTURING REQUIREMENTS AND CUSTOMER SPECIFICATIONS.

**C-40X-2 MCV M2-106**  
**Mobile Command Vehicle**  
**Proposal 2011**

DRAWN	J.Chriss	DATE	9/15/10	SIZE	DWG NO.	REV
SHEET	5 OF 5	NOT TO SCALE	B	022386	-	