

CURB SIDE EXTERIOR ELEVATION

THIS DRAWING IS THE PROPERTY OF FRONTLINE COMMUNICATIONS. IT IS CONFIDENTIAL AND ALL RIGHTS ARE RESERVED. IT SHALL NOT BE REPRODUCED, COPIED, LENT, OR USED FOR ANY PURPOSE OTHER THAN THAT FOR WHICH IT IS SPECIFICALLY FURNISHED.

PRELIMINARY USE ONLY
THIS DRAWING IS FOR REPRESENTATION ONLY. DETAILED ENGINEERING DRAWINGS WILL BE CREATED FOR MANUFACTURING. CHANGES MAY BE REQUIRED TO ACCOMMODATE MANUFACTURING REQUIREMENTS AND CUSTOMER SPECIFICATIONS.

DRAWN	J.Chriss	DATE	5-4-11
SHEET	1 OF 5	NOT TO SCALE	

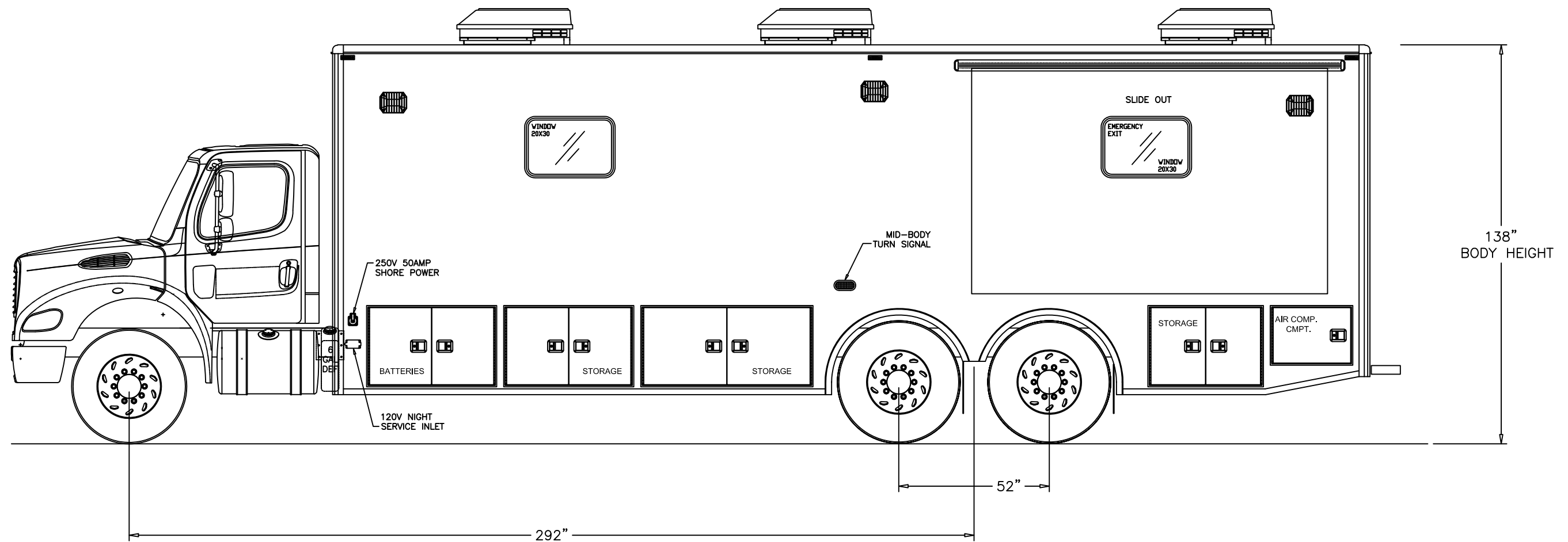
FRONTLINE COMMUNICATIONS
An Oshkosh Corporation Company

12770 44th Street North
Clearwater, FL 33762
Phone (727) 573-0400
www.frontlinecomm.com

OSHKOSH

C-40X MCV M2-106
Mobile Command Vehicle
Proposal 2011

SIZE	DWG NO.	REV
B	040377	-



STREET SIDE EXTERIOR ELEVATION

THIS DRAWING IS THE PROPERTY OF FRONTLINE COMMUNICATIONS. IT IS CONFIDENTIAL AND ALL RIGHTS ARE RESERVED. IT SHALL NOT BE REPRODUCED, COPIED, LENT, OR USED FOR ANY PURPOSE OTHER THAN THAT FOR WHICH IT IS SPECIFICALLY FURNISHED.

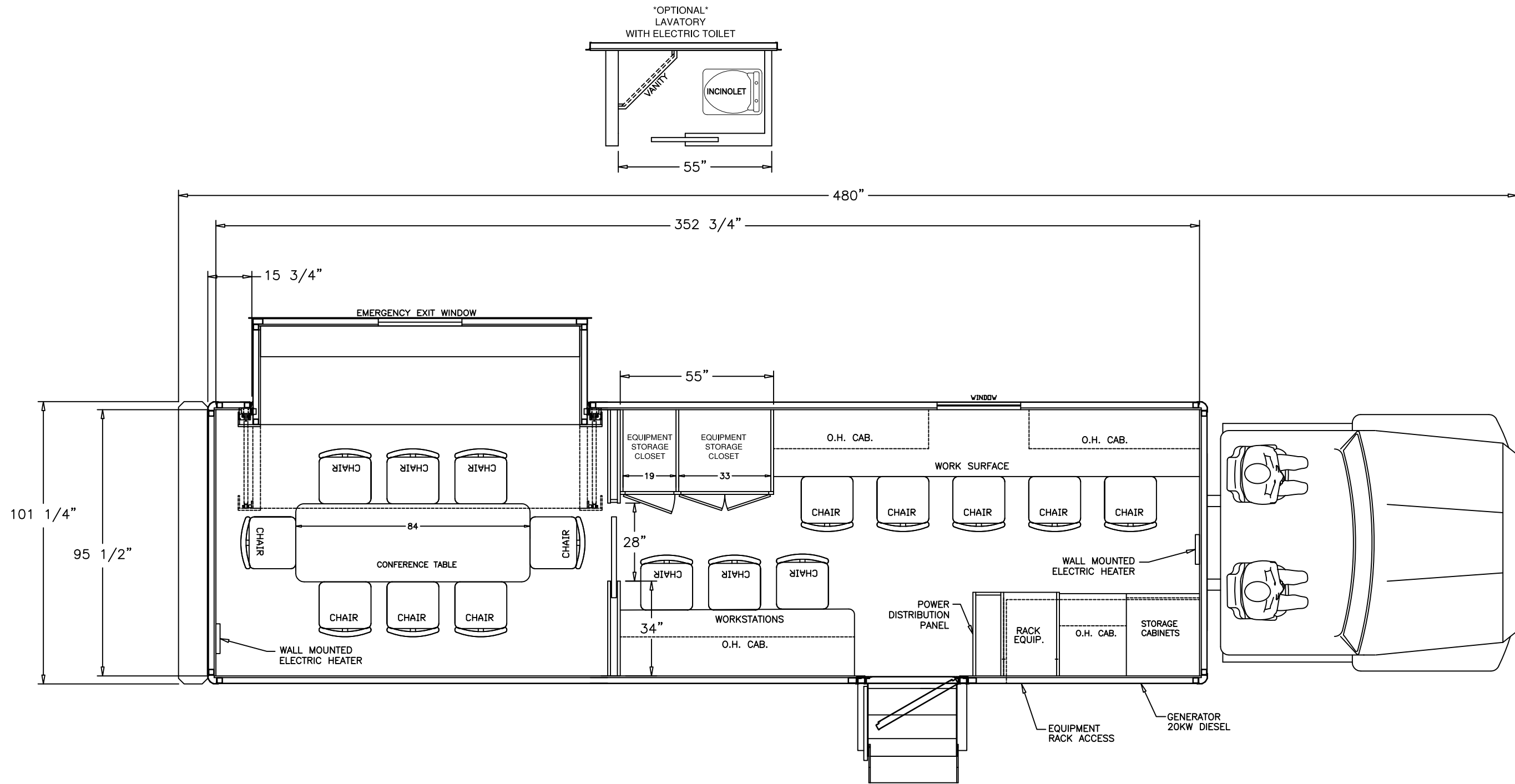
FRONTLINE COMMUNICATIONS
 An Oshkosh Corporation Company
 12770 44th Street North
 Clearwater, FL 33762
 Phone (727) 573-0400
 www.frontlinecomm.com



PRELIMINARY USE ONLY
 THIS DRAWING IS FOR REPRESENTATION ONLY. DETAILED ENGINEERING DRAWINGS WILL BE CREATED FOR MANUFACTURING. CHANGES MAY BE REQUIRED TO ACCOMMODATE MANUFACTURING REQUIREMENTS AND CUSTOMER SPECIFICATIONS.

C-40X MCV M2-106
Mobile Command Vehicle
Proposal 2011

DRAWN	J.Chriss	DATE	5-4-11	SIZE	DWG NO.	REV
SHEET	2 OF 5	NOT TO SCALE		B	040377	-



THIS DRAWING IS THE PROPERTY OF FRONTLINE COMMUNICATIONS. IT IS CONFIDENTIAL AND ALL RIGHTS ARE RESERVED. IT SHALL NOT BE REPRODUCED, COPIED, LENT, OR USED FOR ANY PURPOSE OTHER THAN THAT FOR WHICH IT IS SPECIFICALLY FURNISHED.

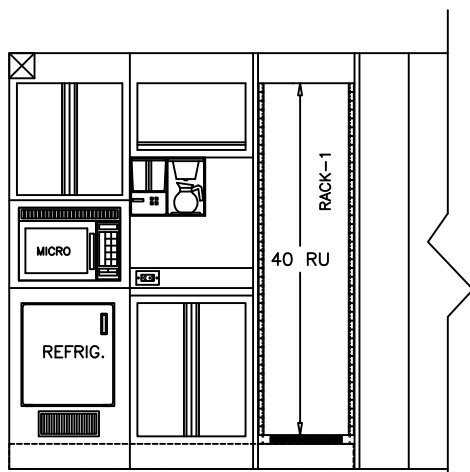
FRONTLINE COMMUNICATIONS
 An Oshkosh Corporation Company
 12770 44th Street North
 Clearwater, FL 33762
 Phone (727) 573-0400
 www.frontlinecomm.com



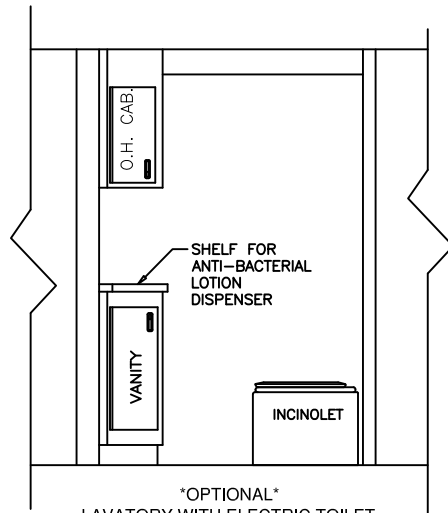
PRELIMINARY USE ONLY
 THIS DRAWING IS FOR REPRESENTATION ONLY. DETAILED ENGINEERING DRAWINGS WILL BE CREATED FOR MANUFACTURING. CHANGES MAY BE REQUIRED TO ACCOMMODATE MANUFACTURING REQUIREMENTS AND CUSTOMER SPECIFICATIONS.

C-40X MCV M2-106
Mobile Command Vehicle
Proposal 2011

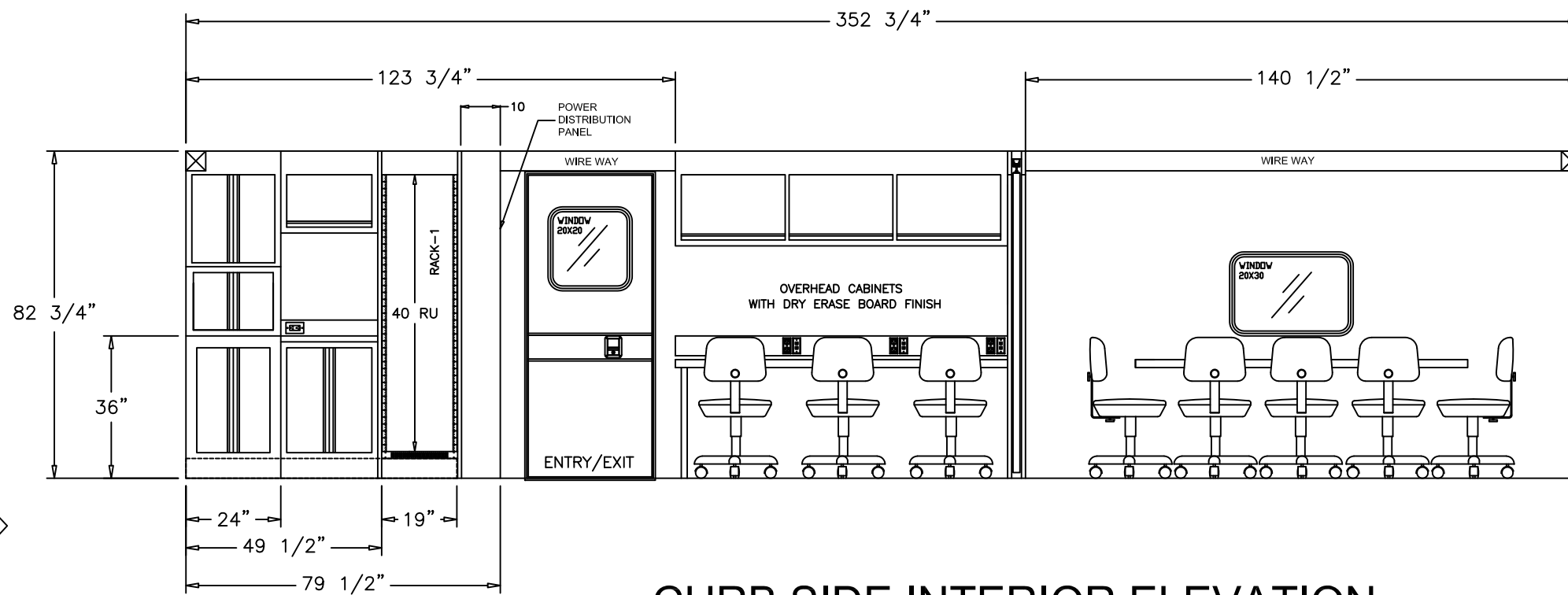
DRAWN	J.Chriss	DATE	5-4-11	SIZE	DWG NO.	REV
SHEET	3 OF 5	NOT TO SCALE		B	040377	-



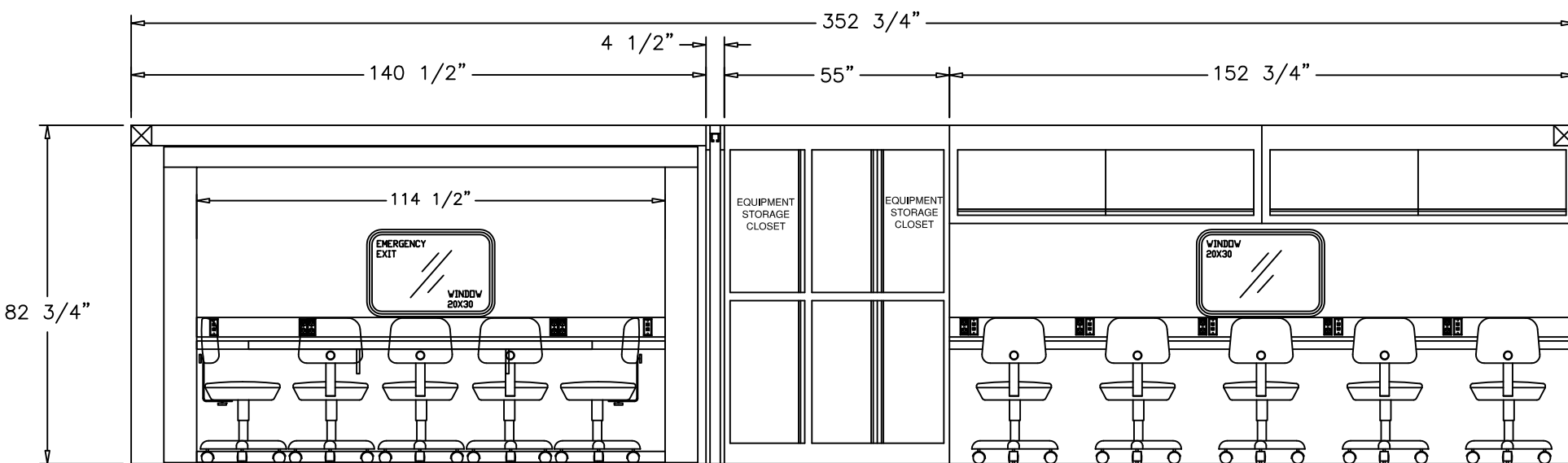
OPTIONAL GALLEY WITH MICROWAVE REFRIGERATOR AND COFFEE MAKER (REPLACES STORAGE CABINETS)



OPTIONAL LAVATORY WITH ELECTRIC TOILET (REPLACES EQUIPMENT CLOSETS)



CURB SIDE INTERIOR ELEVATION



STREET SIDE INTERIOR ELEVATION

THIS DRAWING IS THE PROPERTY OF FRONTLINE COMMUNICATIONS. IT IS CONFIDENTIAL AND ALL RIGHTS ARE RESERVED. IT SHALL NOT BE REPRODUCED, COPIED, LENT, OR USED FOR ANY PURPOSE OTHER THAN THAT FOR WHICH IT IS SPECIFICALLY FURNISHED.

FRONTLINE COMMUNICATIONS
 An Oshkosh Corporation Company

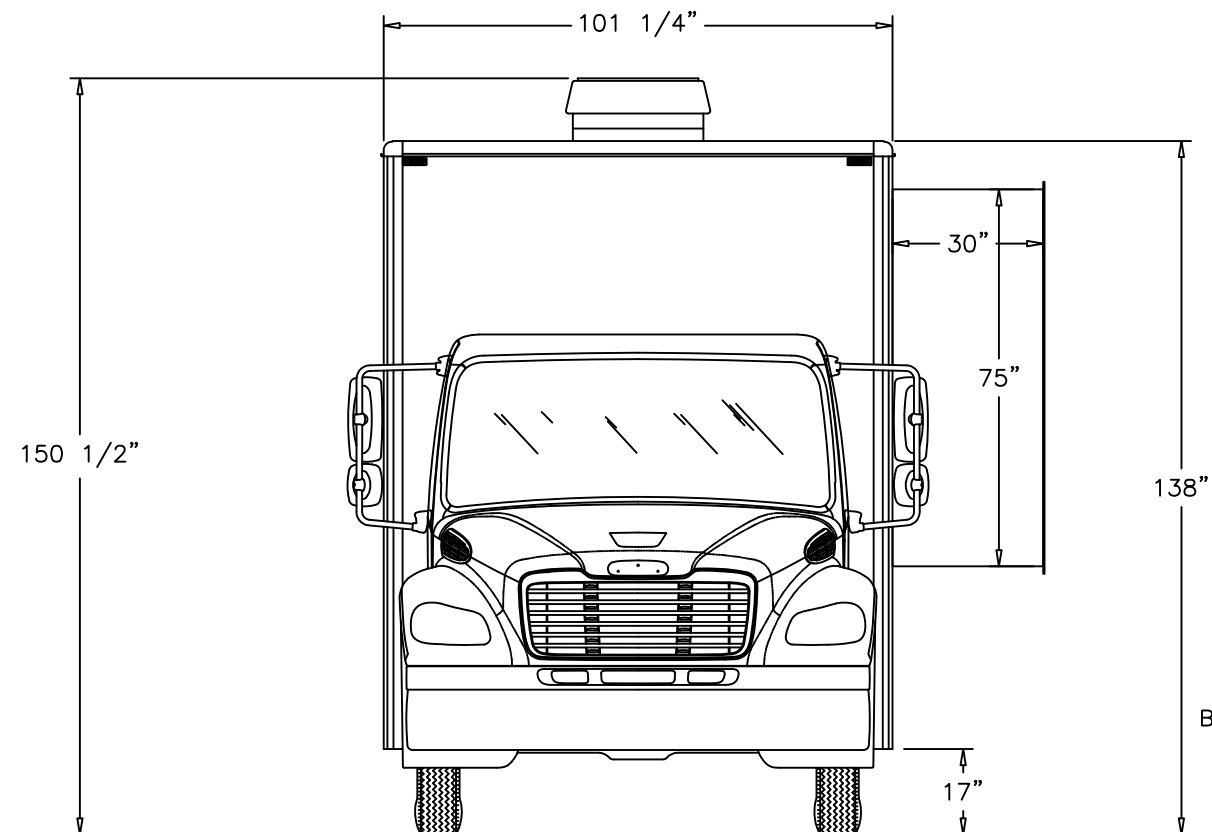
12770 44th Street North
 Clearwater, FL 33762
 Phone (727) 573-0400
 www.frontlinecomm.com

OSHKOSH

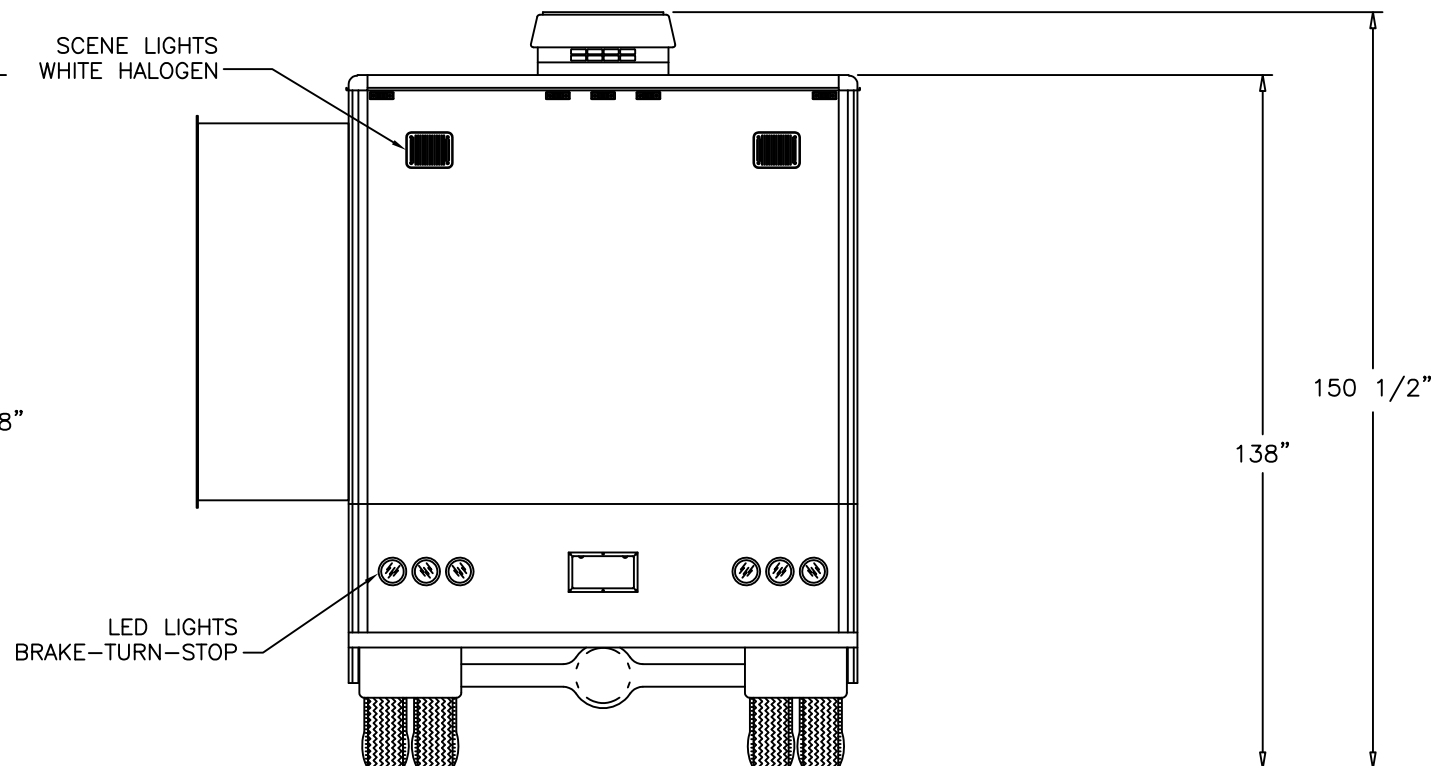
PRELIMINARY USE ONLY
 THIS DRAWING IS FOR REPRESENTATION ONLY. DETAILED ENGINEERING DRAWINGS WILL BE CREATED FOR MANUFACTURING. CHANGES MAY BE REQUIRED TO ACCOMMODATE MANUFACTURING REQUIREMENTS AND CUSTOMER SPECIFICATIONS.

C-40X MCV M2-106
Mobile Command Vehicle
Proposal 2011

DRAWN	J.Chriss	DATE	5-4-11	SIZE	DWG NO.	REV
SHEET	4 OF 5	NOT TO SCALE	B	040377	-	



FRONT EXTERIOR



REAR ELEVATION

THIS DRAWING IS THE PROPERTY OF FRONTLINE COMMUNICATIONS. IT IS CONFIDENTIAL AND ALL RIGHTS ARE RESERVED. IT SHALL NOT BE REPRODUCED, COPIED, LENT, OR USED FOR ANY PURPOSE OTHER THAN THAT FOR WHICH IT IS SPECIFICALLY FURNISHED.

FRONTLINE COMMUNICATIONS
 An Oshkosh Corporation Company
 12770 44th Street North
 Clearwater, FL 33762
 Phone (727) 573-0400
 www.frontlinecomm.com



PRELIMINARY USE ONLY
 THIS DRAWING IS FOR REPRESENTATION ONLY. DETAILED ENGINEERING DRAWINGS WILL BE CREATED FOR MANUFACTURING. CHANGES MAY BE REQUIRED TO ACCOMMODATE MANUFACTURING REQUIREMENTS AND CUSTOMER SPECIFICATIONS.

C-40X MCV M2-106
Mobile Command Vehicle
Proposal 2011

DRAWN	J.Chriss	DATE	5-4-11	SIZE	DWG NO.	REV
SHEET	5 OF 5	NOT TO SCALE		B	040377	-