

**PASSENGER'S SIDE COMPARTMENTS CONTAIN THE FOLLOWING:**

**COMPARTMENT P1 CONTAINS:**

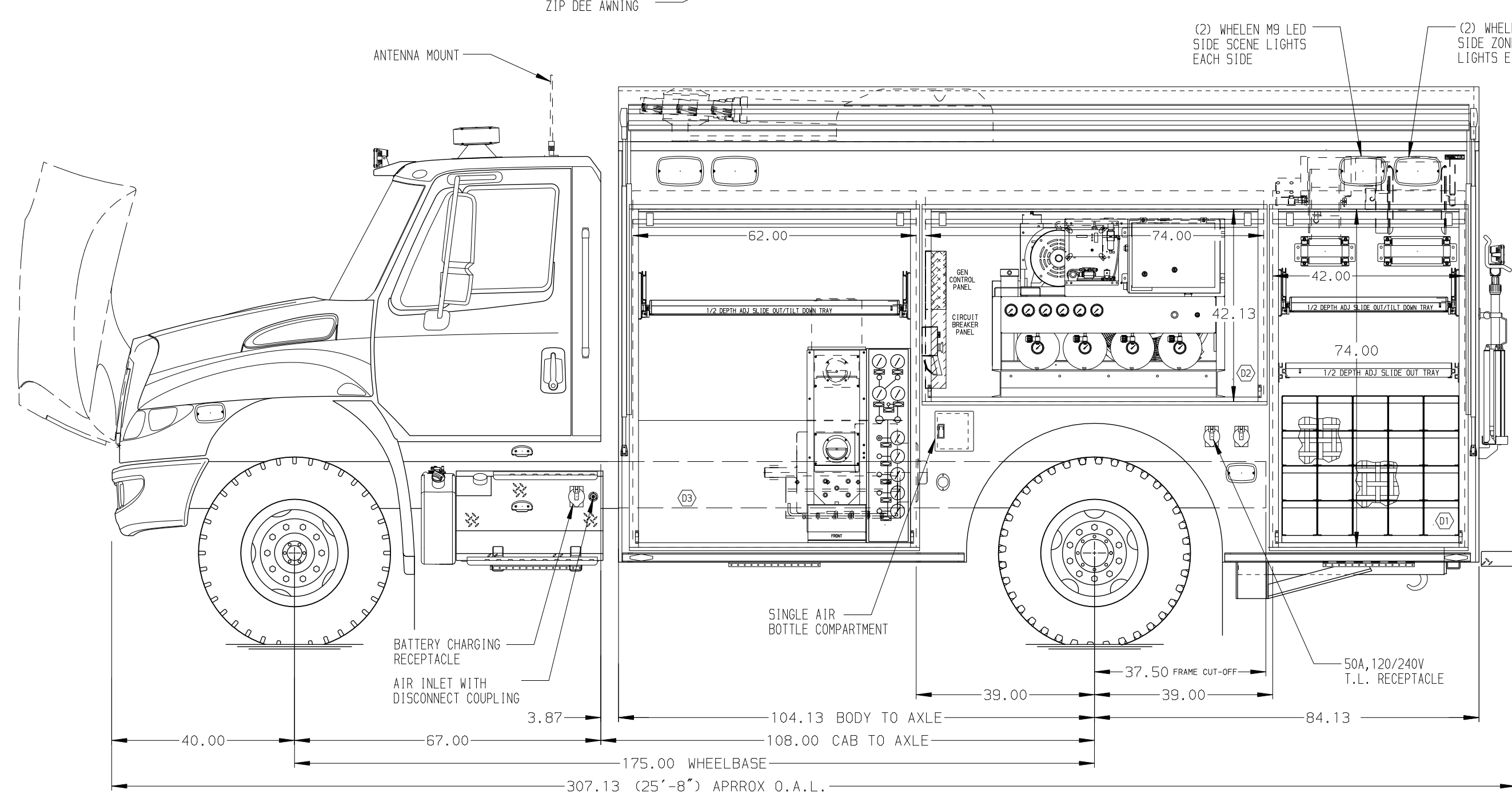
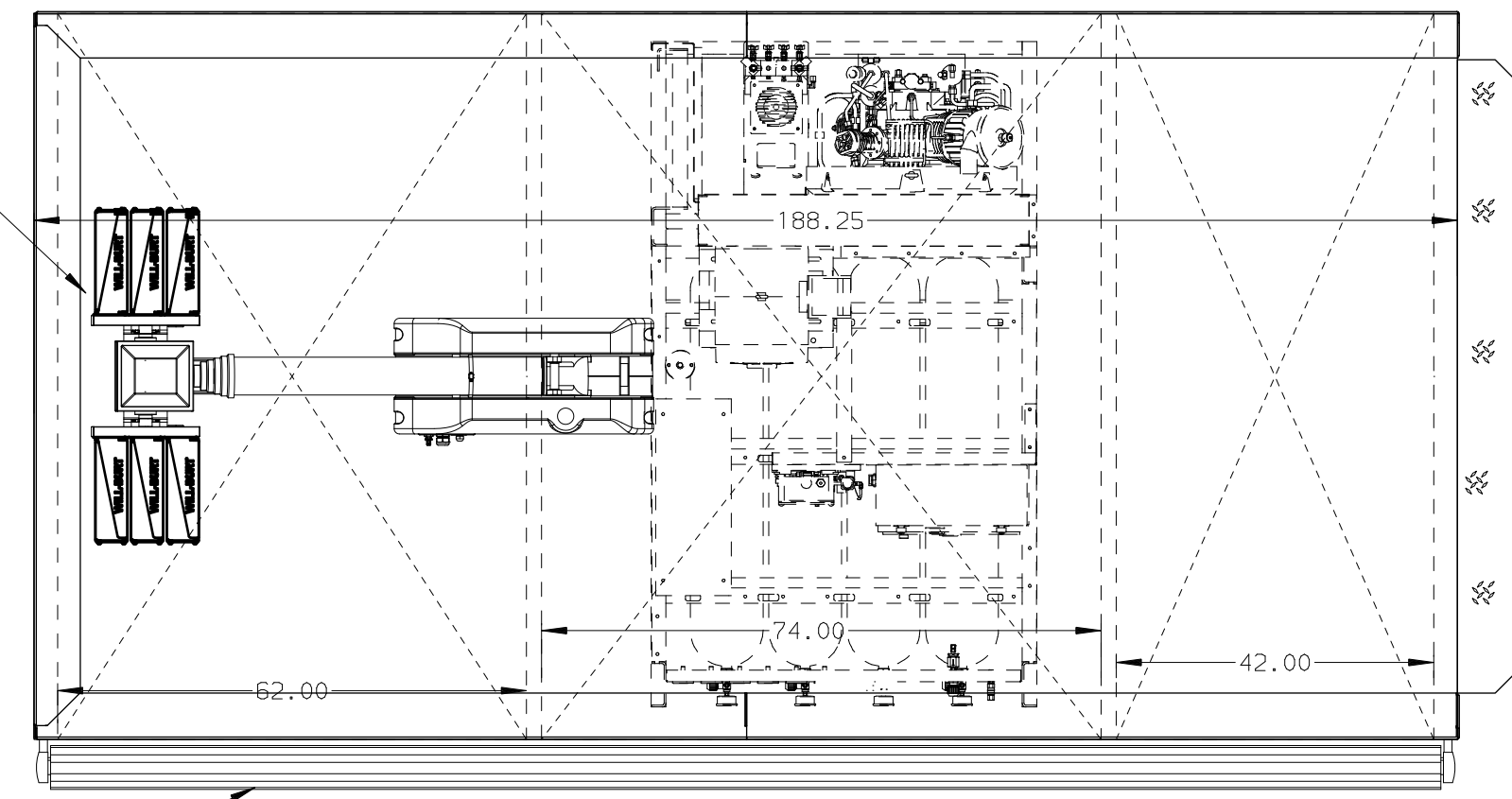
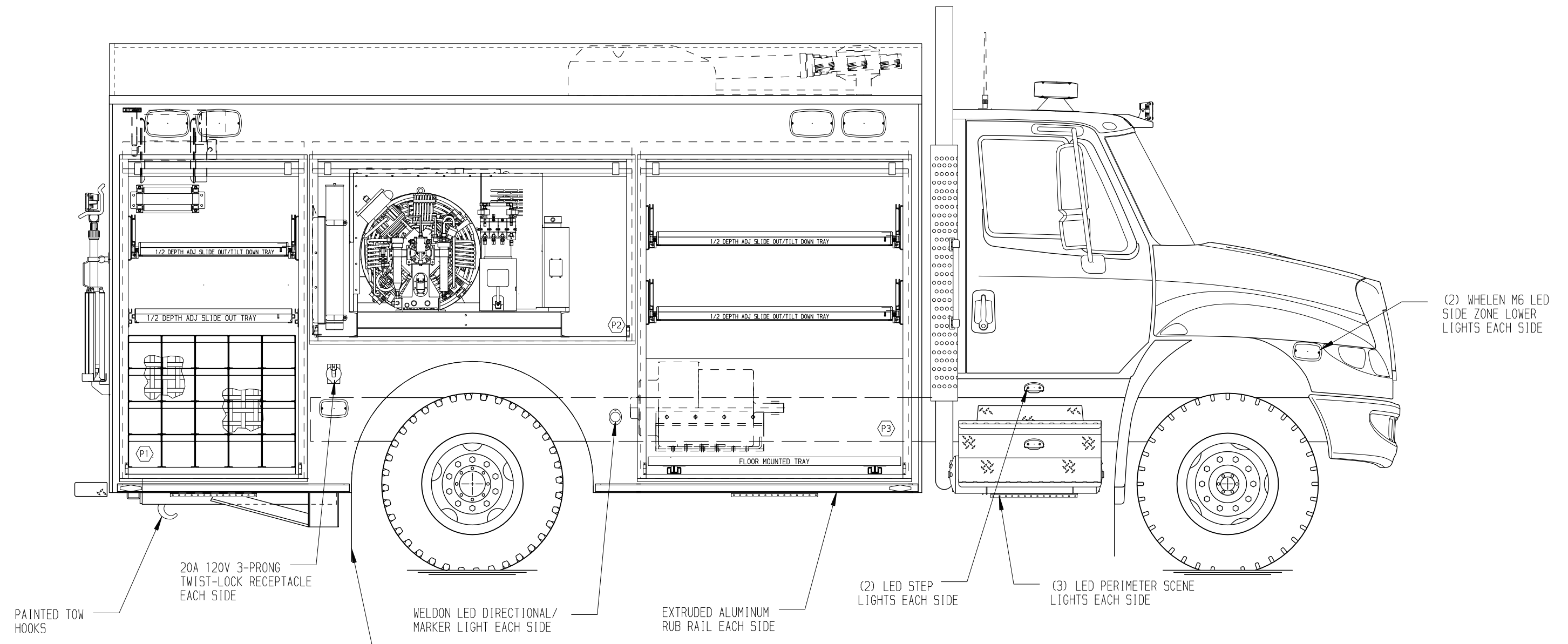
- (1) HALF DEPTH ADJ SLIDE OUT TRAY
- (1) HALF DEPTH ADJ SLIDE OUT/TILT TRAY
- (1) RACK FOR 20 SCBA BOTTLES
- (1) ELECTRIC CORD REEL WITH 200' OF 10/3 YELLOW CORD

**COMPARTMENT P2 CONTAINS:**

- (1) BREATHING AIR SKID

**COMPARTMENT P3 CONTAINS:**

- (2) HALF DEPTH ADJ SLIDE OUT/TILT TRAYS
- (1) STD DEPTH FLOOR MOUNTED SLIDE OUT TRAY



**DRIVER'S SIDE COMPARTMENTS CONTAIN THE FOLLOWING:**

**COMPARTMENT D1 CONTAINS:**

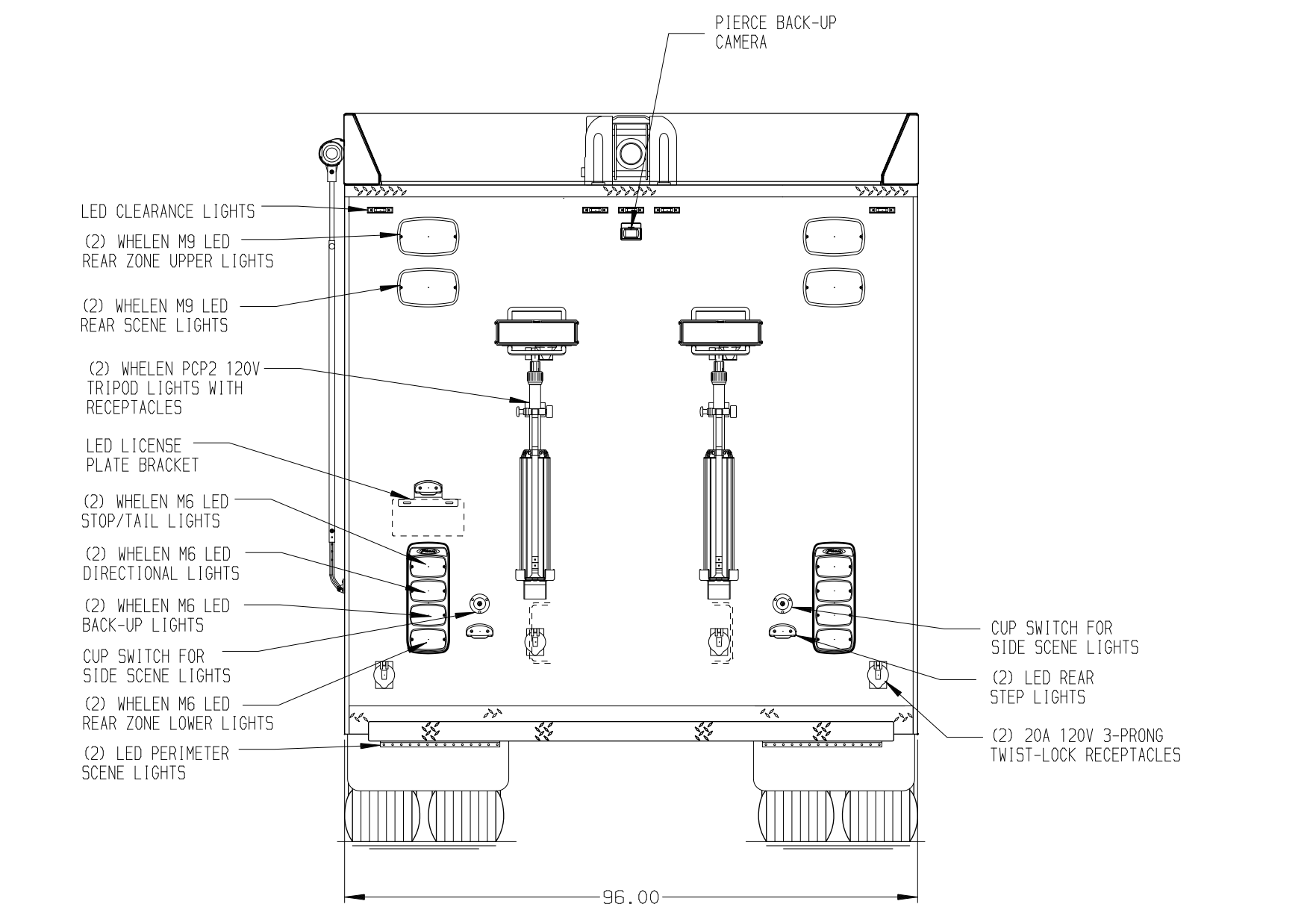
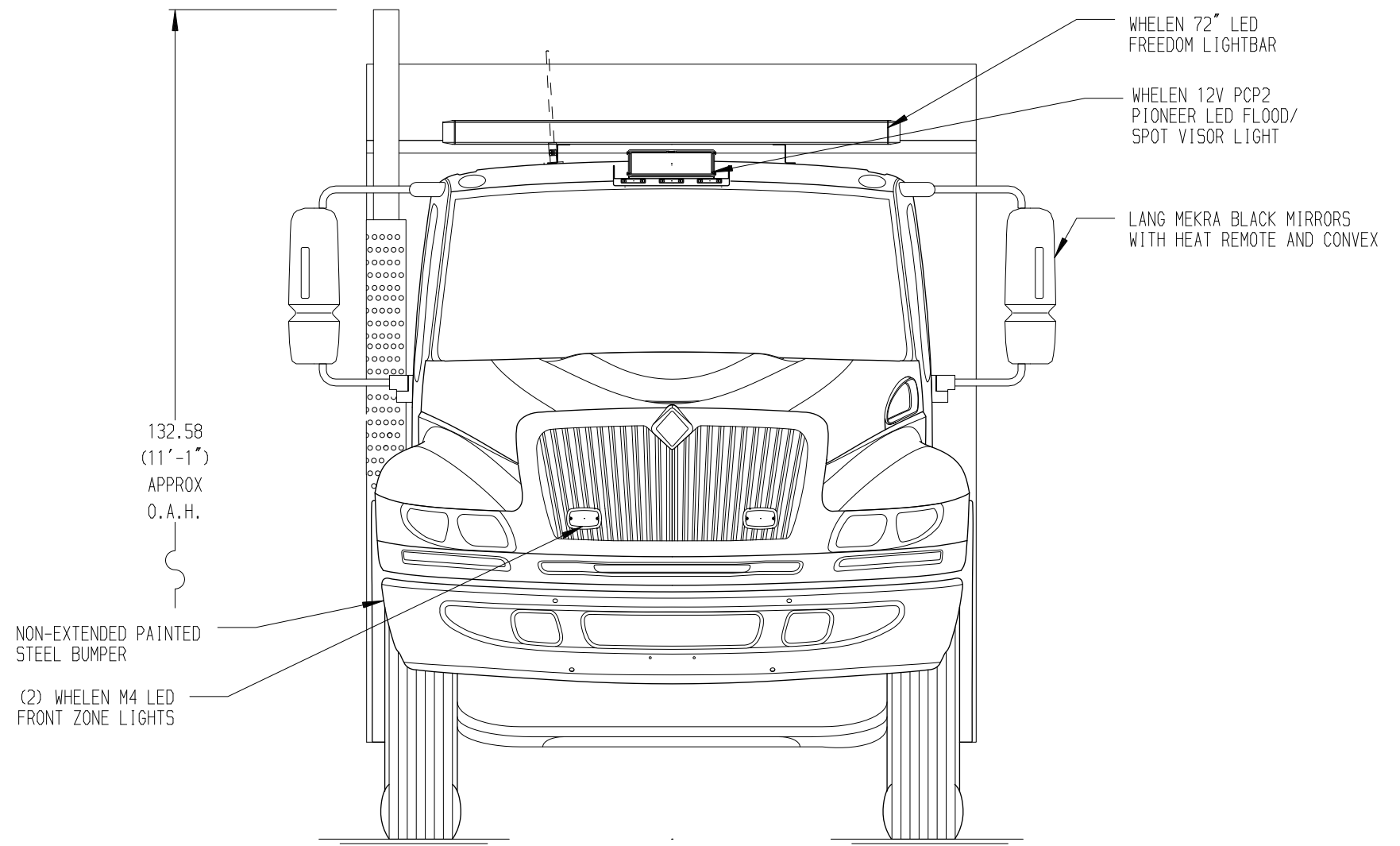
- (1) HALF DEPTH ADJ SLIDE OUT/TILT TRAY
- (1) HALF DEPTH ADJ SLIDE OUT TRAY
- (1) RACK FOR 20 SCBA BOTTLES
- (1) ELECTRIC CORD REEL WITH 200' OF 10/3 YELLOW CORD
- (1) HIGH PRESSURE BREATHING AIR REEL WITH 200' OF HOSE

**COMPARTMENT D2 CONTAINS:**

- (1) BREATHING AIR SKID
- (1) CIRCUIT BREAKER PANEL
- (1) GENERATOR METER PANEL
- (1) LIGHT TOWER CONTROLLER

**COMPARTMENT D3 CONTAINS:**

- (1) HALF DEPTH ADJ SLIDE OUT/TILT TRAY
- (1) "SPACE SAVER" 2-BOTTLE FILL ENCLOSURE
- (1) CASCADE SYSTEM CONTROL PANEL



**NOTE**  
DIMENSIONS SHOWN ARE APPROXIMATE AND ARE SUBJECT TO MINOR DEVIATIONS AS MAY OCCUR OR BE NECESSARY IN CONSTRUCTION. MINOR DETAILS NOT SHOWN.

- NOTES:**
1. PAINTED TOW HOOKS RECESSED IN FRONT BUMPER
  2. FIRECOM 210 SINGLE RADIO WIRELESS INTERCOM WITH HEADSET
  3. STONE GUARD ON FRONT OF BODY
  4. ORANGE 32" ELASTIC PULL STRAP FOR ALL ROLL-UP DOORS
  5. 5/8 DRIP PAN GUARDS ON ALL ROLL-UP DOORS
  6. PIERCE LED DUAL LIGHT STRIPS IN EACH COMPARTMENT
  7. AIR HORN RECESSED IN BUMPER
  8. WHELEN 6A315P SPEAKER RECESSED IN BUMPER
  9. LIMA 40KW CONTINUOUS 120/240V 60HZ 3 PHASE PTO DRIVEN GENERATOR LOCATED BETWEEN THE FRAME RAILS

CLEAR DOOR WIDTH KEY		CHASSIS DATA	
AMOR ROLL UP DOORS:	-1 7/8"	110EC15	DHE CDK MAKE
CORTITE ROLL UP DOORS:	-2 3/4"	190CT15	DHE CDK 1HC
PIERCE DOUBLE LIP DOORS:	-4 1/4"	22SEP15	DHE CDK MODEL
PIERCE LIFT-UP LAP DOORS:	-1 1/2"		REV DATE BY CH
(EX: 60" F-F = 1 7/8" = 58 1/8" CLEAR)			4400
(F-F) = FRAME TO FRAME			

		JOB NO.	29236
		SCALE	DATE
TITLE	ENCORE RESCUE VEHICLE	DRAWN BY	08SEP15
FOR	62.74.62	CLP	
	FORSYTH COUNTY	CHECKED BY	08SEP15
	TEN-8 FIRE	AZU	
DWG NO.	29236AD	SHEET SIZE	SHEET NO.
		D	1 OF 1