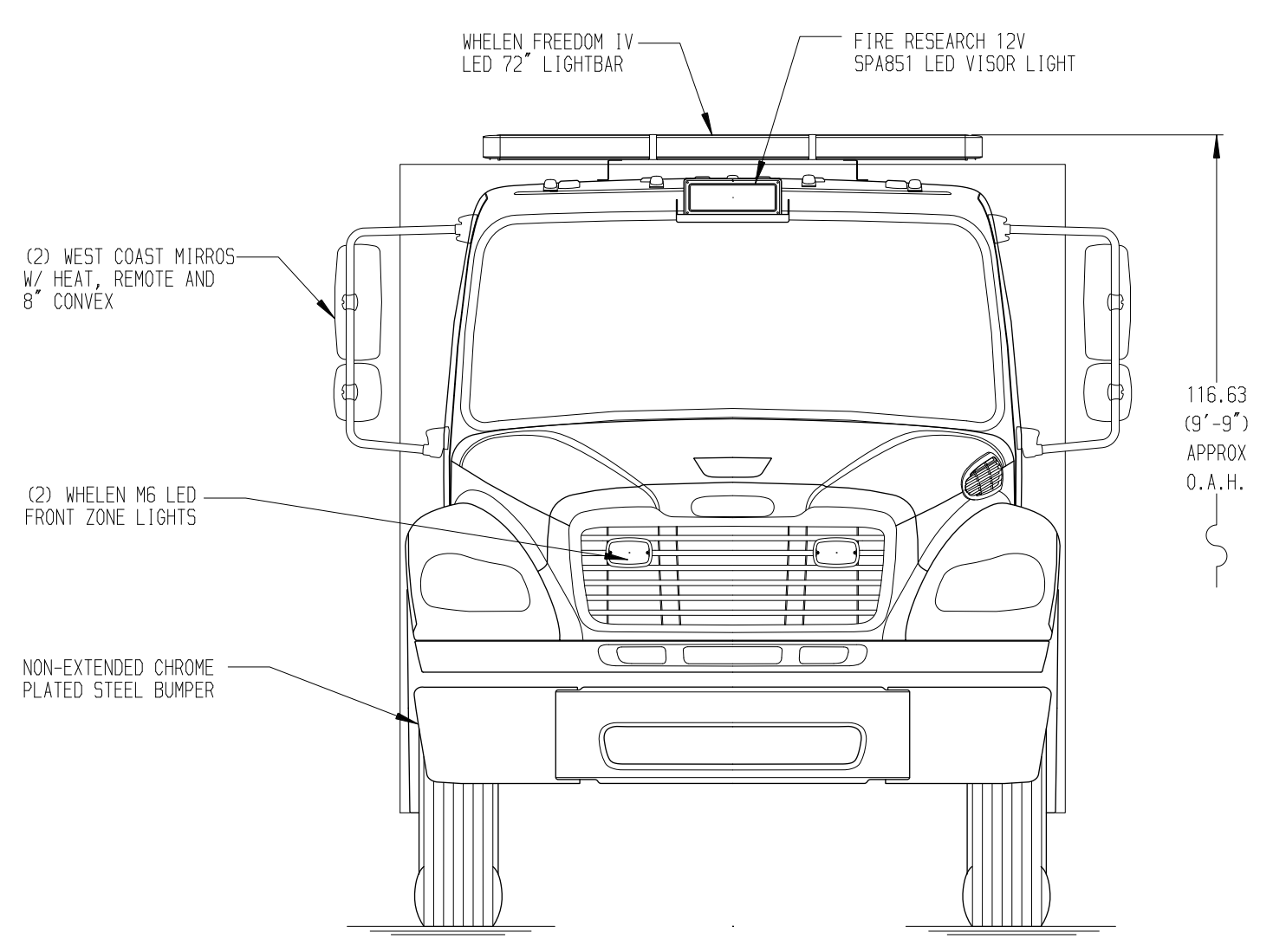
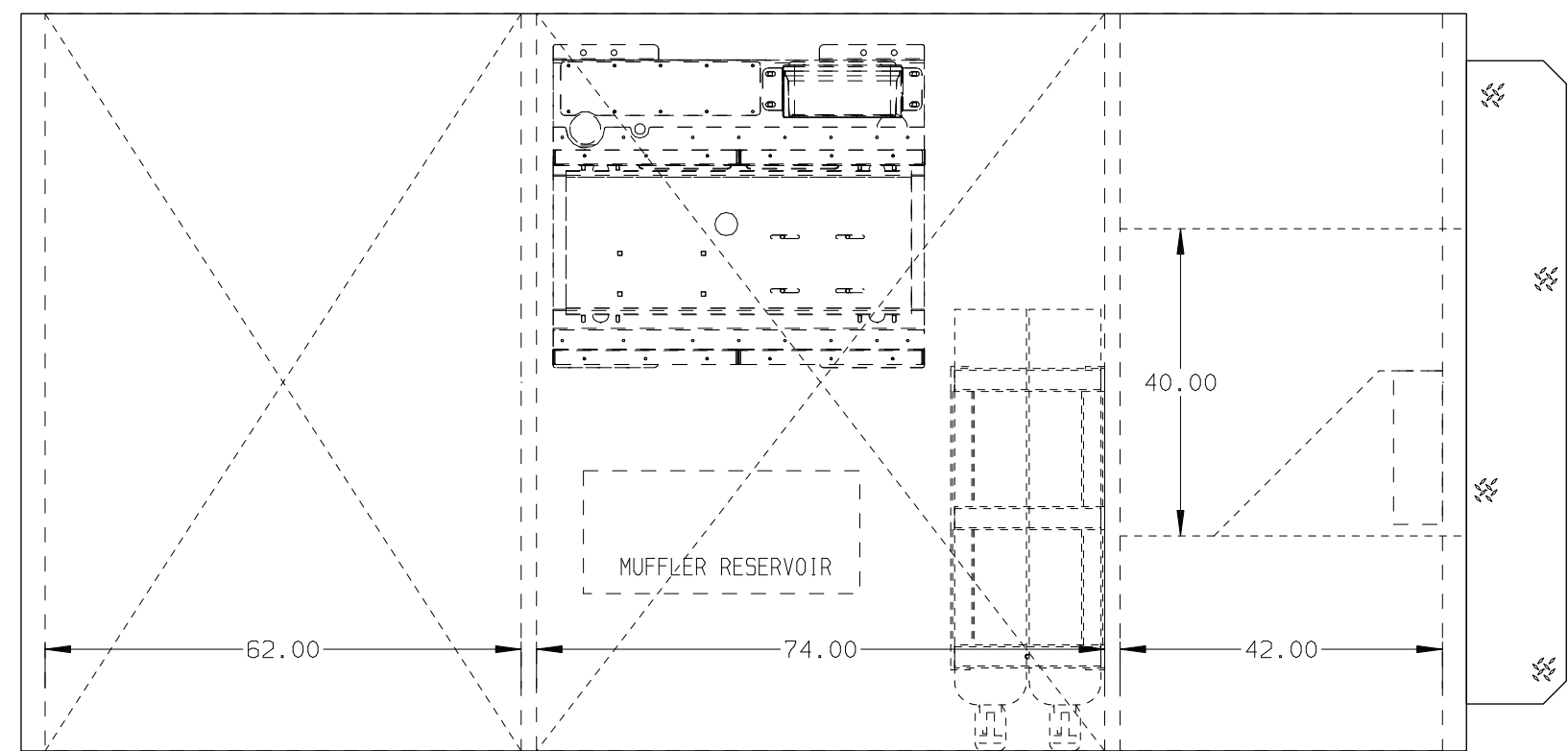
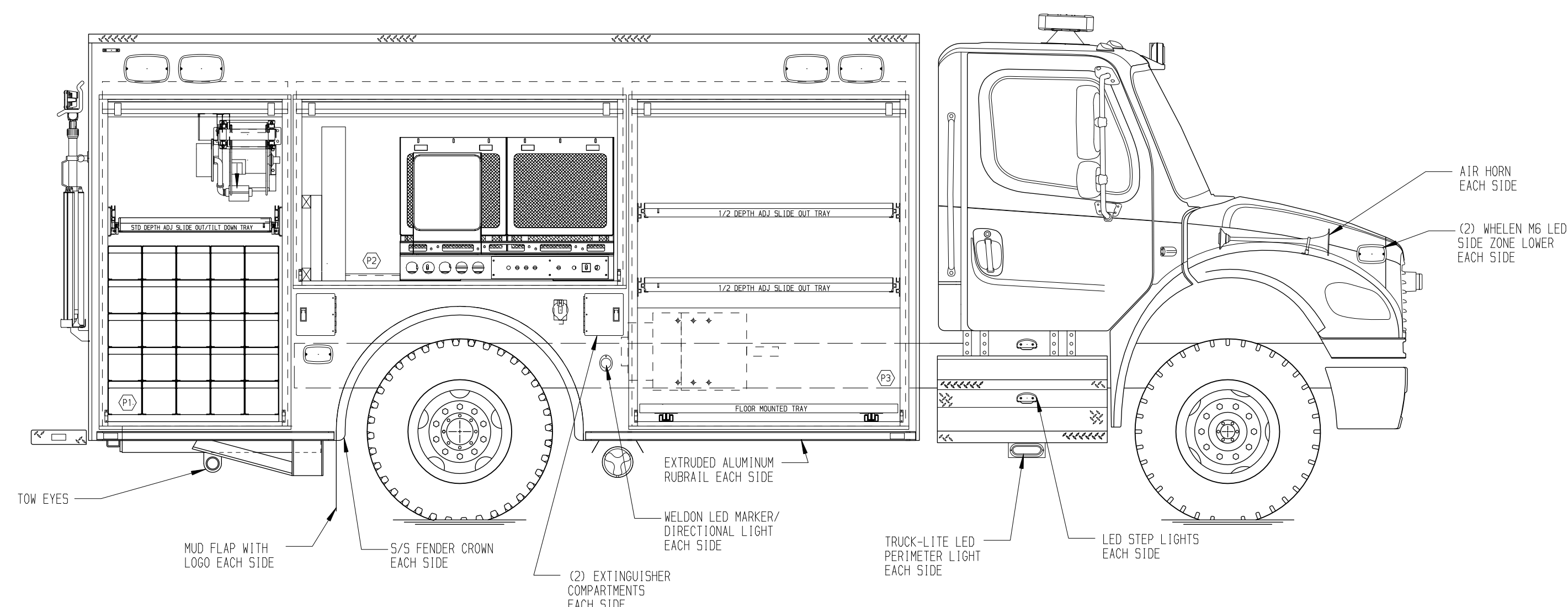


PASSENGER'S SIDE COMPARTMENTS CONTAIN THE FOLLOWING:

COMPARTMENT P1 CONTAINS:
 - (1) STD DEPTH SLIDE OUT/TILT TRAY
 - (1) RACK FOR 25 SCBA BOTTLES
 - (1) ELECTRIC CORD REEL WITH 150' OF 10/3 YELLOW CORD

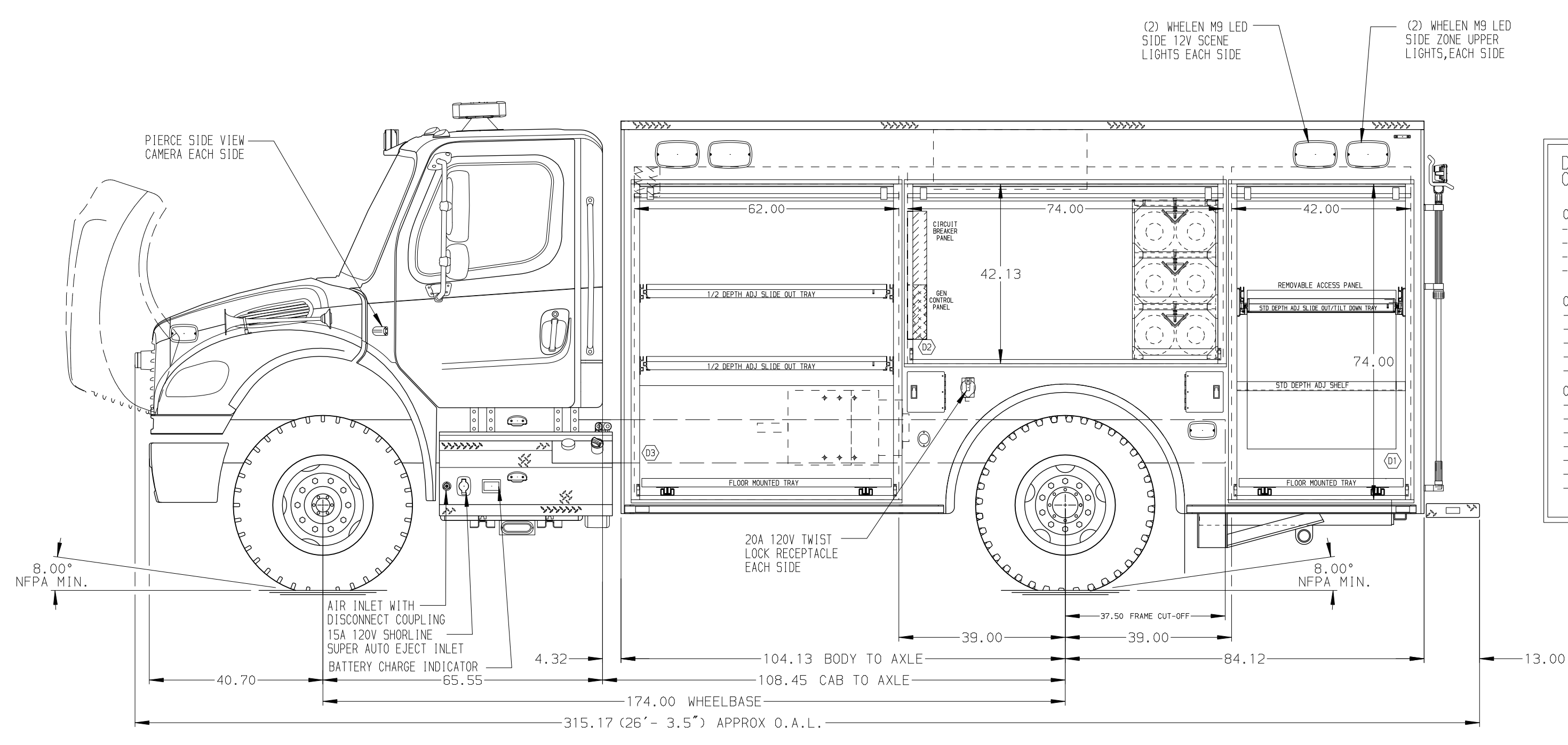
COMPARTMENT P2 CONTAINS:
 - (1) MAKO 20.7 CFM 6000 PSI BREATHING AIR COMPRESSOR
 - BREATHING AIR PURIFIERS

COMPARTMENT P3 CONTAINS:
 - (2) 1/2 DEPTH ADJ SLIDE OUT TRAYS
 - (1) STD DEPTH FLOOR MOUNTED TRAY



REAR COMPARTMENT CONTAINS THE FOLLOWING:

COMPARTMENT R1 CONTAINS:
 - (1) REVOLVE AIR 2 BOTTLE FILL ENCLOSURE WITH SCOTT SAFETY SMART FILL CONTROL PANEL
 - (1) COMPRESSOR CONTROL PANEL
 - (1) FIXED HORIZONTAL DIVIDER

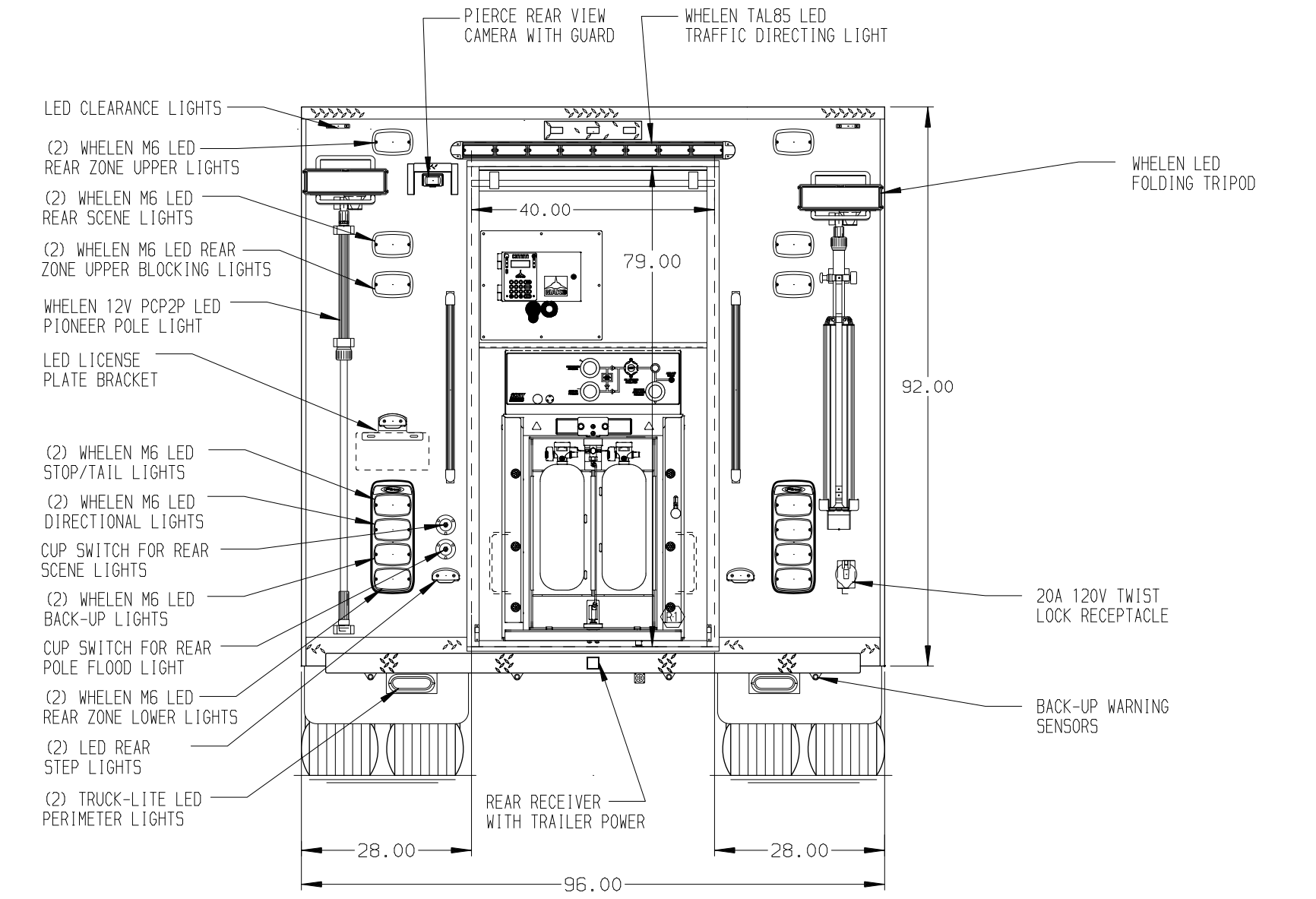


DRIVER'S SIDE COMPARTMENTS CONTAIN THE FOLLOWING:

COMPARTMENT D1 CONTAINS:
 - (1) STD DEPTH ADJ SHELF
 - (1) STD DEPTH ADJ SLIDE OUT/TILT TRAY
 - (1) STD DEPTH FLOOR MOUNTED TRAY

COMPARTMENT D2 CONTAINS:
 - (1) GENERATOR CONTROL PANEL
 - (1) CIRCUIT BREAKER PANEL
 - (1) RACK FOR STORING 6 UN BREATHING AIR BOTTLES
 - (6) UN BREATHING AIR STORAGE BOTTLES

COMPARTMENT D3 CONTAINS:
 - (1) KUSSMAUL PUMP PLUS 1000 BATTERY CHARGER
 - (2) 1/2 DEPTH ADJ SLIDE OUT TRAYS
 - (1) STD DEPTH FLOOR MOUNTED TRAY



NOTE
 DIMENSIONS SHOWN ARE APPROXIMATE AND ARE SUBJECT TO MINOR DEVIATIONS AS MAY OCCUR OR BE NECESSARY IN CONSTRUCTION. MINOR DETAILS NOT SHOWN.

- NOTES:**
1. PAINTED TOW HOOKS IN FRONT BUMPER
 2. PIERCE DUAL LED LIGHT STRIPS IN EACH COMPARTMENT
 3. WHELEN SA31101 CUSTOM SPEAKER MOUNTED BEHIND BUMPER
 4. LIMA 40KW PTO DRIVEN THREE PHASE GENERATOR WITH SPLASH GUARD LOCATED BETWEEN THE FRAME RAILS

CLEAR DOOR WIDTH KEY		CHASSIS DATA	
AMOR ROLL UP DOORS:	-1 7/8"	02FEB16	DHE AZU
CORTITE ROLL UP DOORS:	-2 3/4"	10DEC15	DHE AZU
PIERCE DOUBLE LAP DOORS:	-4 1/4"	13OCT15	CLP CDK
PIERCE LIFT-UP LAP DOORS:	-1 1/2"		
(EX: 60" F-F = 1 7/8" = 58 1/8" CLEAR) (F-F) = FRAME TO FRAME		REV	DATE BY CH

		JOB NO.	29283
		SCALE	DATE
TITLE	ENCORE RESCUE VEHICLE	DRAWN BY	CLP
FOR	POLK COUNTY FIRE	CHECKED BY	AZU
	POLK COUNTY, FL		TIM OUTLAW
DWG NO.	29283AD	SHEET SIZE	SHEET NO.
			1 OF 1