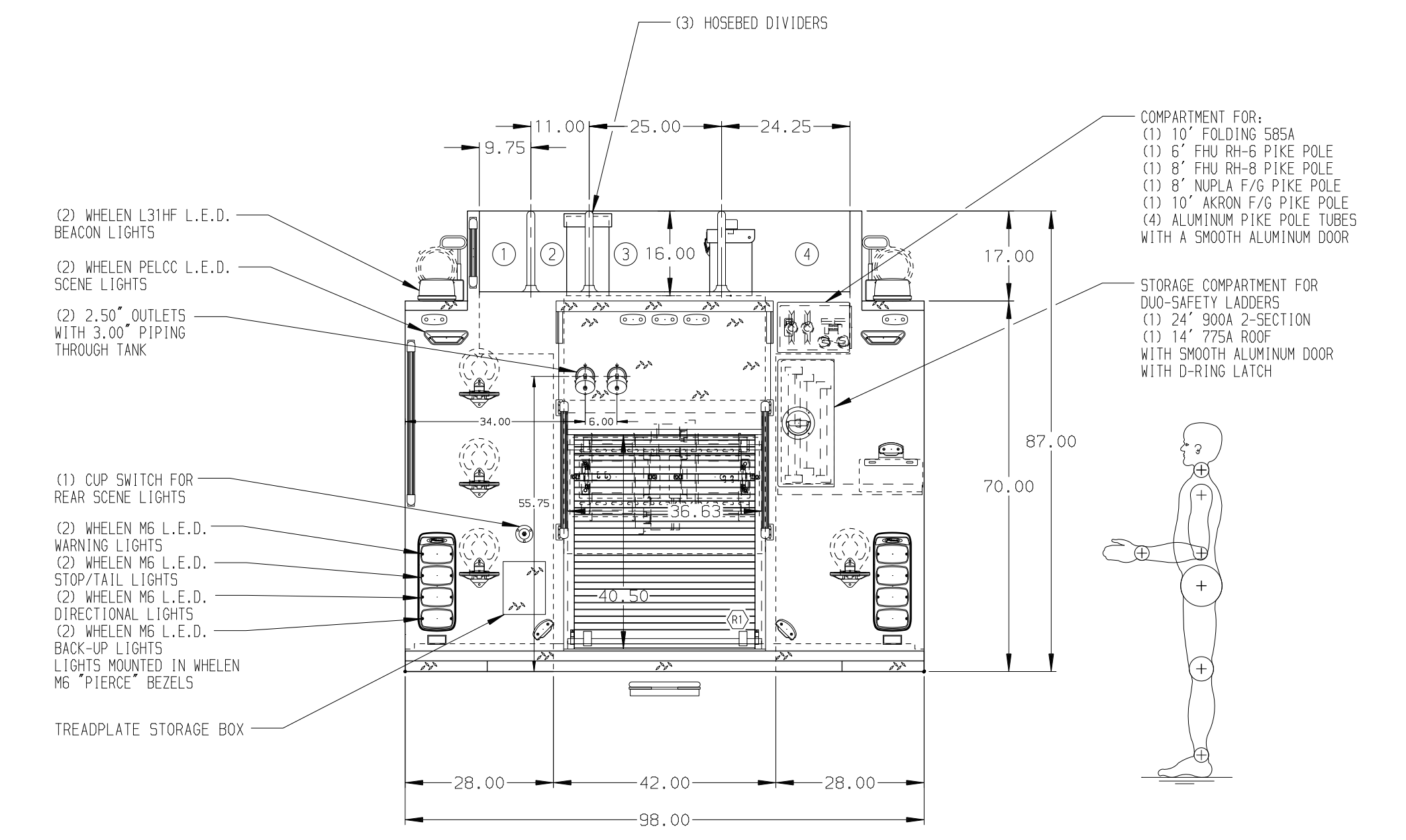
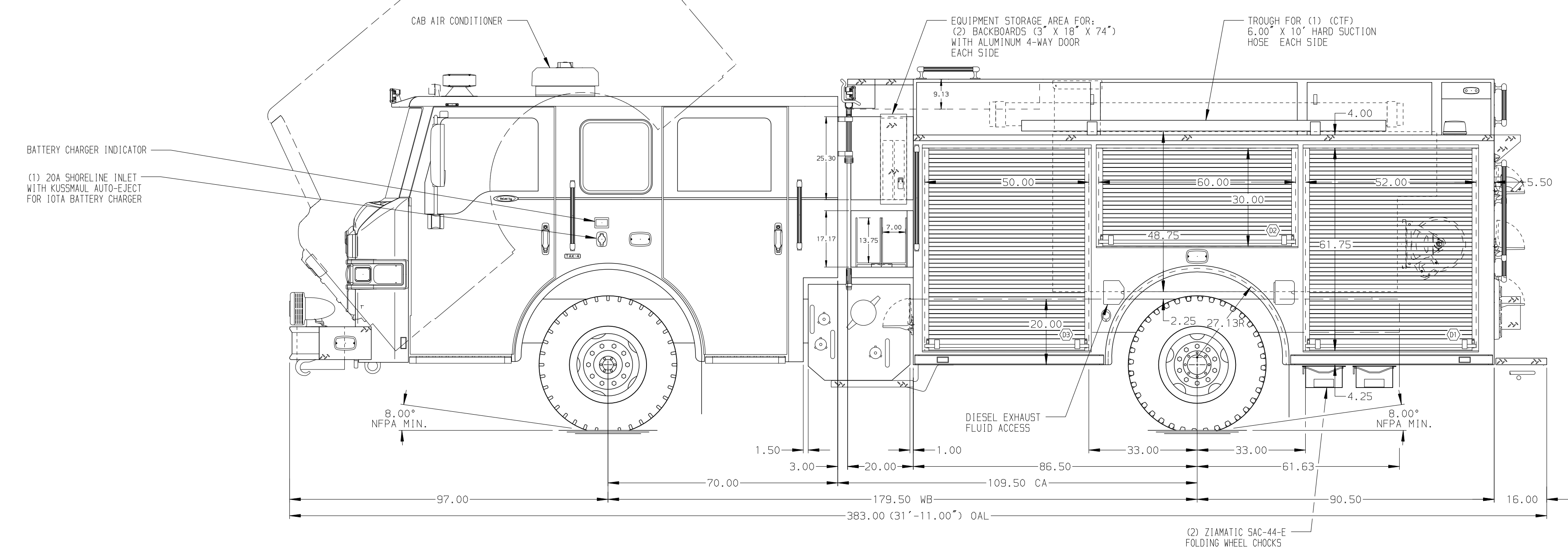


HOSEBED CAPACITIES

①	200' OF 2.50" D.J. HOSE
②	200' OF 2.50" D.J. HOSE
③	800' OF 3.00" D.J. HOSE
④	800' OF 3.00" D.J. HOSE



ALUMINUM BODY

MAXIMUM O.A.H. 132.00"

FRONTAL IMPACT PROTECTION

NOTE  
DIMENSIONS SHOWN ARE APPROXIMATE AND ARE SUBJECT TO MINOR DEVIATIONS AS MAY OCCUR OR BE NECESSARY IN CONSTRUCTION. MINOR DETAILS NOT SHOWN.

1. IOTA DSL-75 BATTERY CHARGER LOCATED IN COMPARTMENT D3
2. ONE PAINTED ADJUSTABLE FULL WIDTH/FULL DEPTH SHELF IN COMPARTMENTS P2; TWO IN D1 & P1; THREE IN D3
3. ONE PAINTED FLOOR MOUNTED SLIDE-OUT TRAY IN COMPARTMENTS D1, P1 & R1
4. TWO AIR BOTTLE HOLDERS WITH TRACKS IN COMPARTMENT P3
5. HUSKY 12 FOAM SYSTEM - RESERVOIR BELOW CARGO FLOOR
6. AIR INLET WITH DISCONNECT COUPLING LOCATED IN D.S. STEP WELL
7. AIR OUTLET WITH SHUT OFF VALVE LOCATED ON D.S. PUMP PANEL
8. ONE SWING-OUT PEG BOARD TOOL BOARD IN COMPARTMENT D2
9. TWO HANNAY ELECTRIC REWIND HYDRAULIC HOSE REELS MODEL 2016-17-18 WITH CAPACITY FOR 100' OF .25" I.D. DUAL HYDRAULIC HOSE LOCATED IN COMPARTMENT R1

REV	DATE	BY	CH	VELOCITY
04APR16	NPA	ANG		
10MAR16	NPA	ANG		

CHASSIS DATA	TITLE	1500-D-710 GAL POLY W/40 GAL FOAM CELL, 177" RESCUE
MAKE	FOR	(2) XLAYS, DELUGE, LADDERS THRU BODY, REELS CITY OF KEY WEST FIRE DEPARTMENT KEY WEST, FLORIDA
MODEL	DWG NO.	29703AD

	JOB NO.	29703
	SCALE	DATE
	DRAWN BY	NPA 25JAN16
	CHECKED BY	KBO 25JAN16
	SHEET SIZE	SHEET NO.
	D	1 OF 1