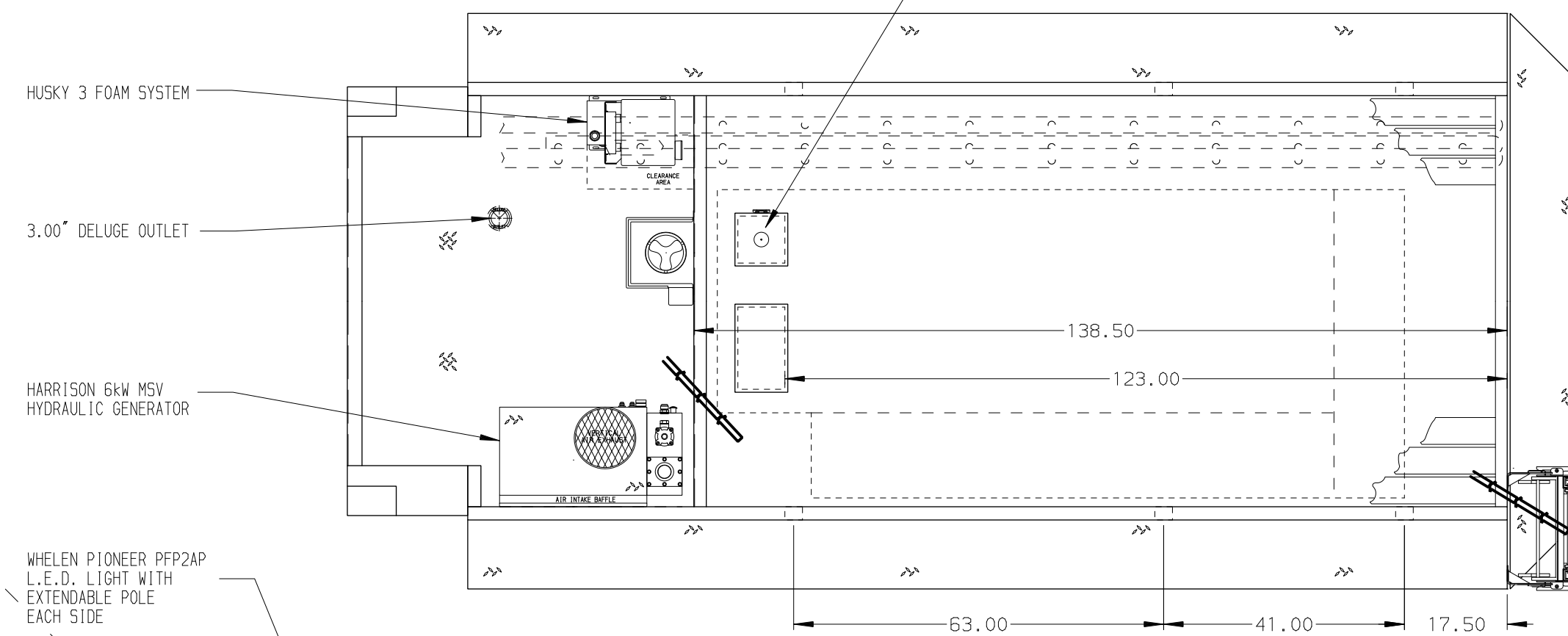
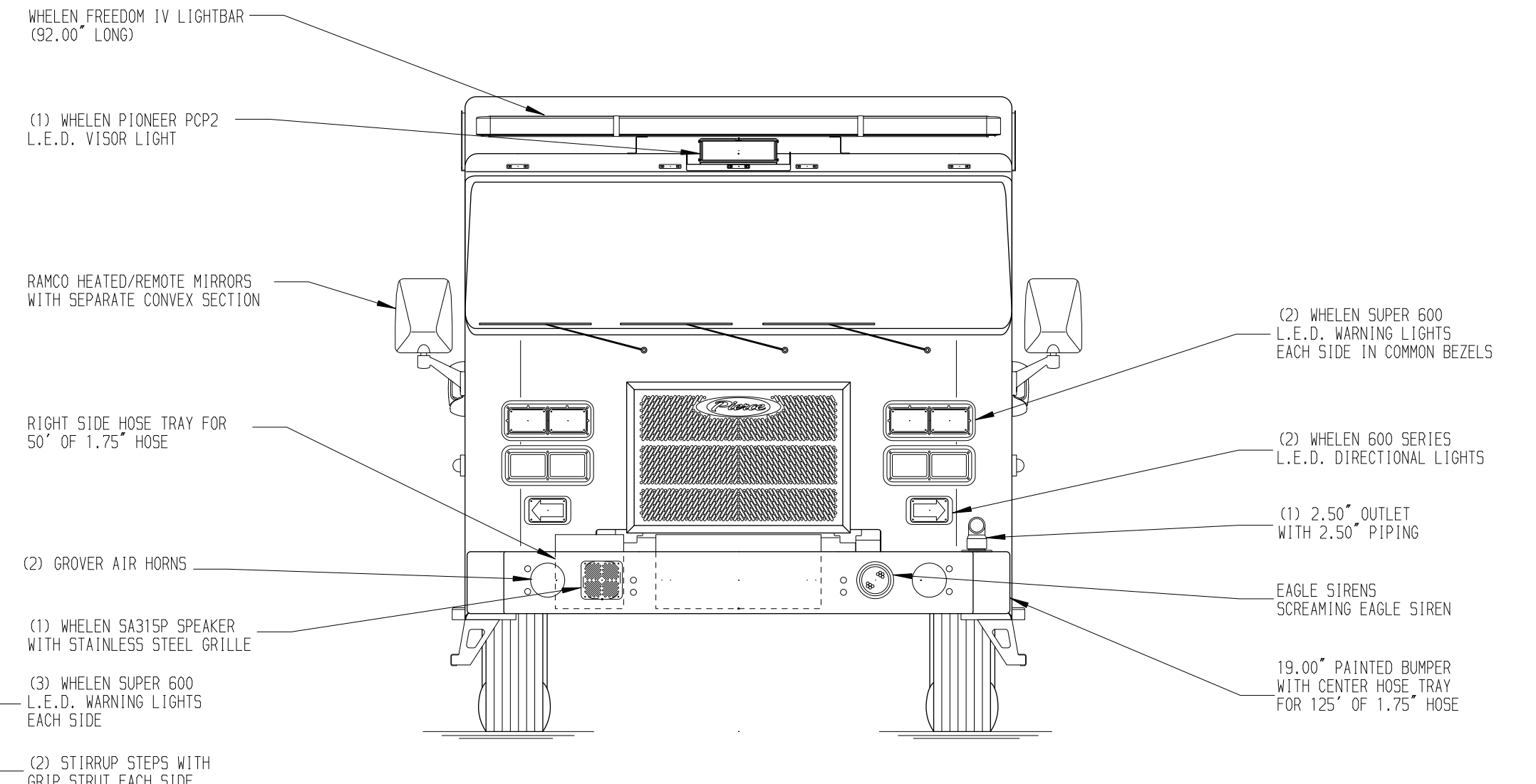
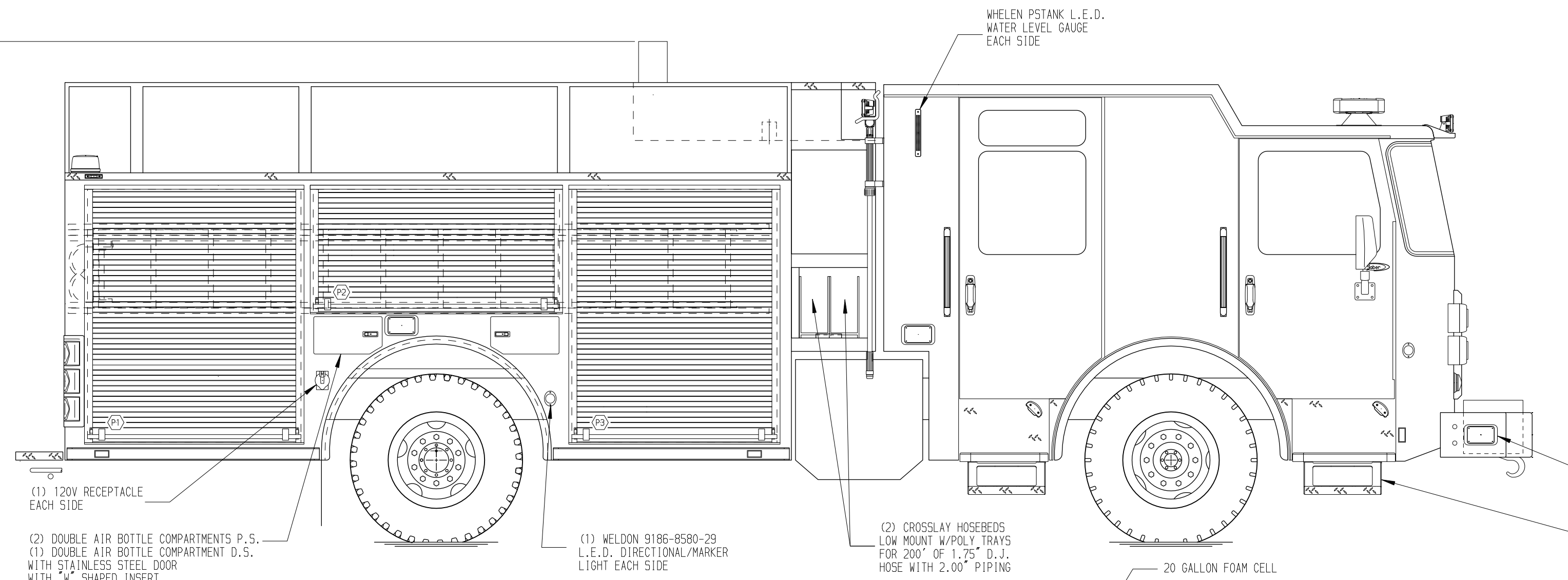
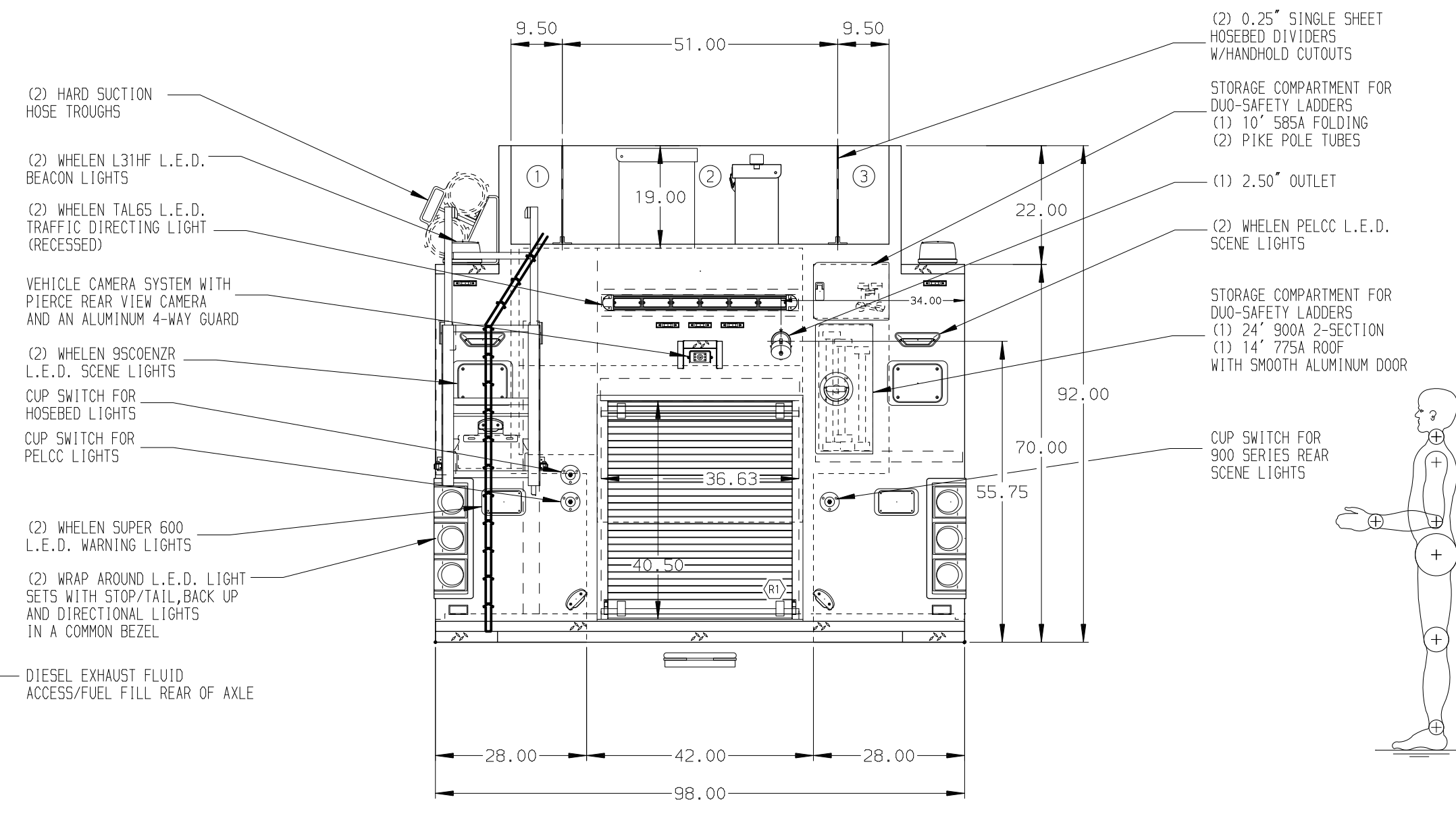
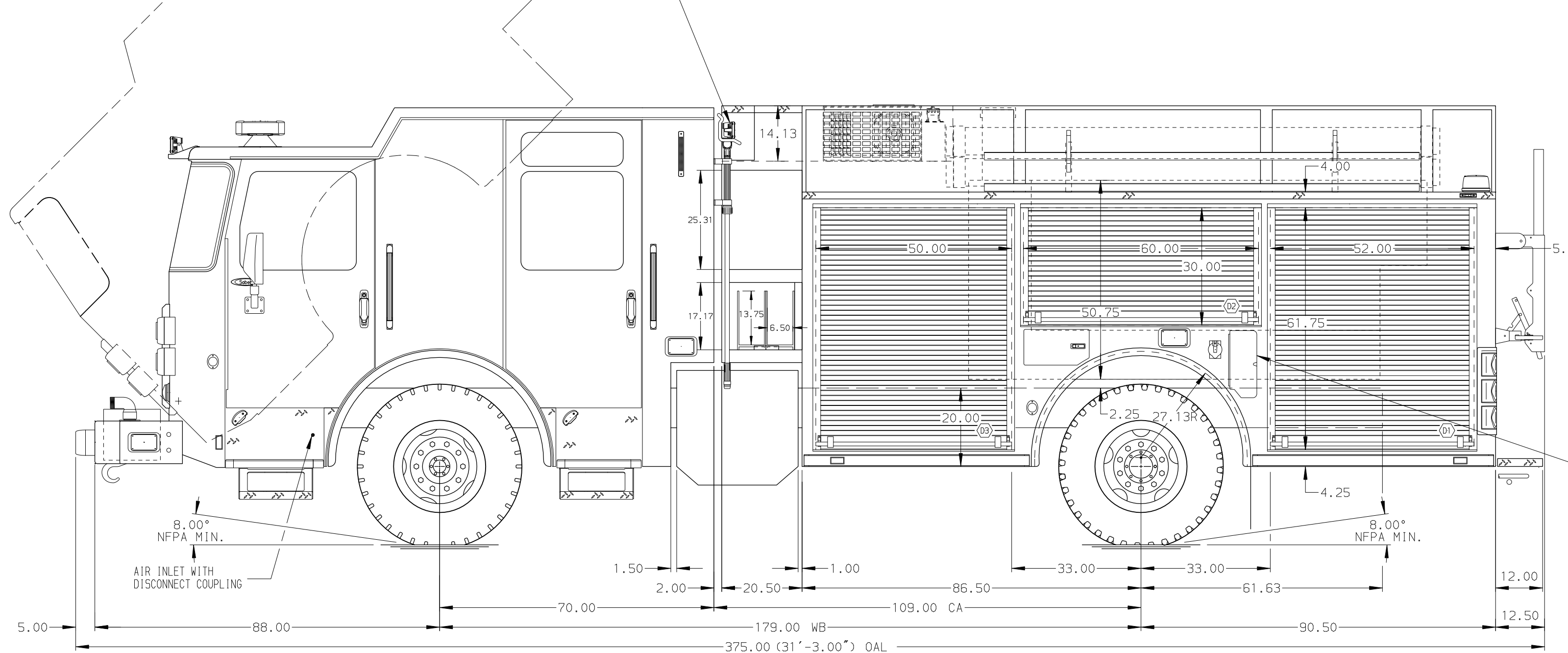


124.00
(10'-4")
APPROX
O.A.H.



HOSEBED CAPACITIES
 ① 200' OF 1.50" D.J. POLY HOSE
 ② 1500' OF 2.50" D.J. POLY HOSE
 ③ 200' OF 1.50" D.J. POLY HOSE



ALUMINUM BODY

NOTE
 DIMENSIONS SHOWN ARE APPROXIMATE AND ARE SUBJECT TO MINOR DEVIATIONS AS MAY OCCUR OR BE NECESSARY IN CONSTRUCTION. MINOR DETAILS NOT SHOWN.

1. CTF WHEEL CHOCKS AND MOUNTING BRACKETS
2. BATTERY CHARGER LOCATED IN COMPARTMENT D3
3. BATTERY CHARGE INDICATOR LOCATED ON DRIVER'S SEAT RISER
4. ONE FULL WIDTH/DEPTH PAINTED ADJUSTABLE SHELF IN COMPARTMENT D1,P1,R1,R2, TWO IN D3
5. ONE ADJUSTABLE SLIDE-OUT TRAY IN COMPARTMENT P1
6. SWING-OUT TOOL BOARD WITH PEGBOARD PATTERN IN COMPARTMENT D2
7. (1) ADDITIONAL POLY TRAY SHIPPED LOOSE
8. CIRCUIT BREAKER PANEL IN COMPARTMENT D3
9. SHORELINE RECEPTACLE WITH KUSSMAUL SUPER AUTO-EJECT ON D.S. PUMP PANEL

CUSTOMER APPROVAL			
APPROVED BY:			
DATE:			
REV	DATE	BY	CH
	24AUG16	JWO	KBO
			SABER FR

Pierce MANUFACTURING INC.

TITLE: 1500-D-980P W/20G FOAM,177",FULL HEIGHT,PUC
 (2) X-LAYS,DELUGE,GENERATOR

FOR: GLYNN COUNTY
 BRUNSWICK, GEORGIA

DWG NO. 30158AD

JOB NO.	30158 01-02
SCALE	1:24
DATE	
DRAWN BY	JWO
CHECKED BY	KBO
SHEET SIZE	D
SHEET NO.	1 OF 1