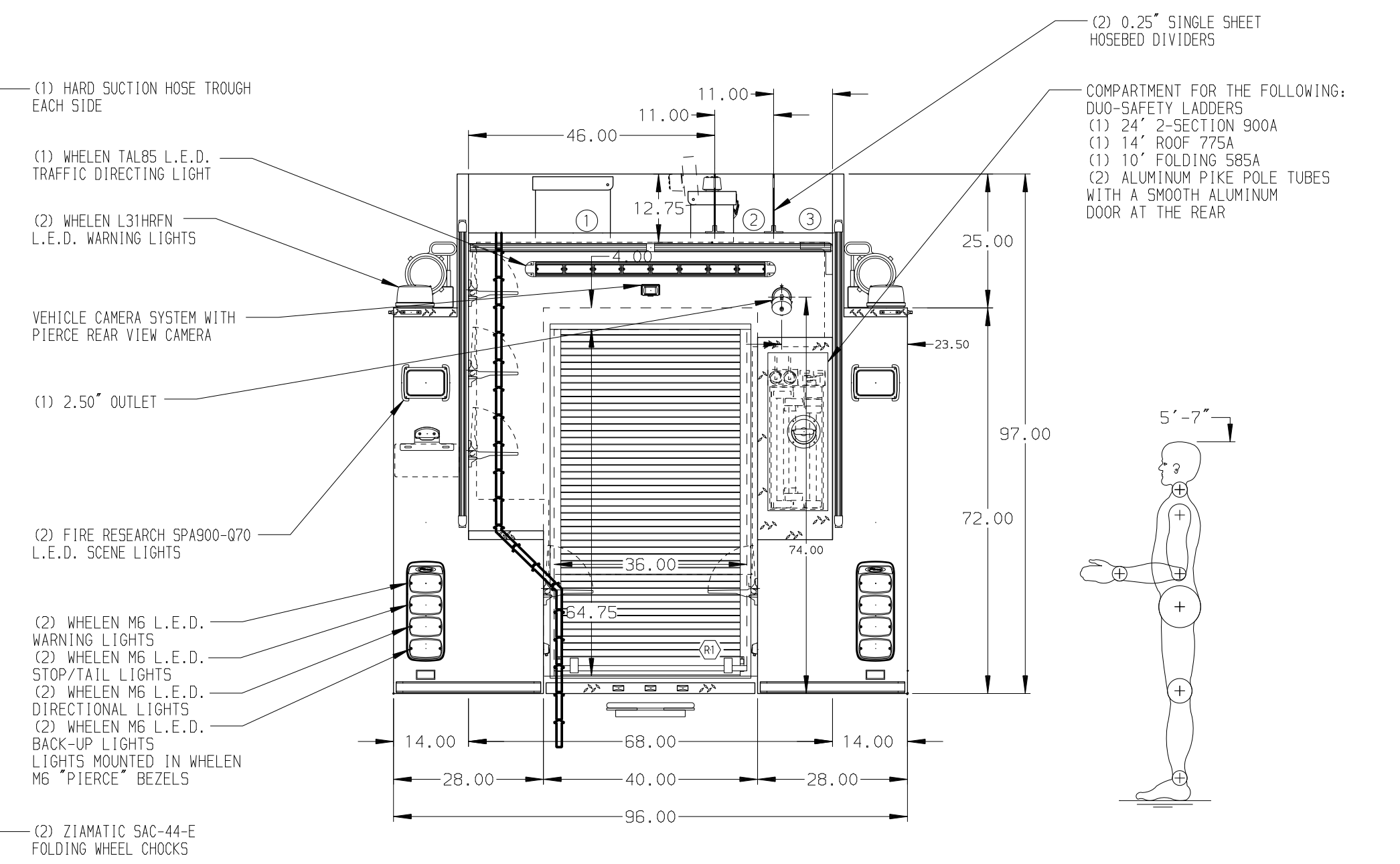
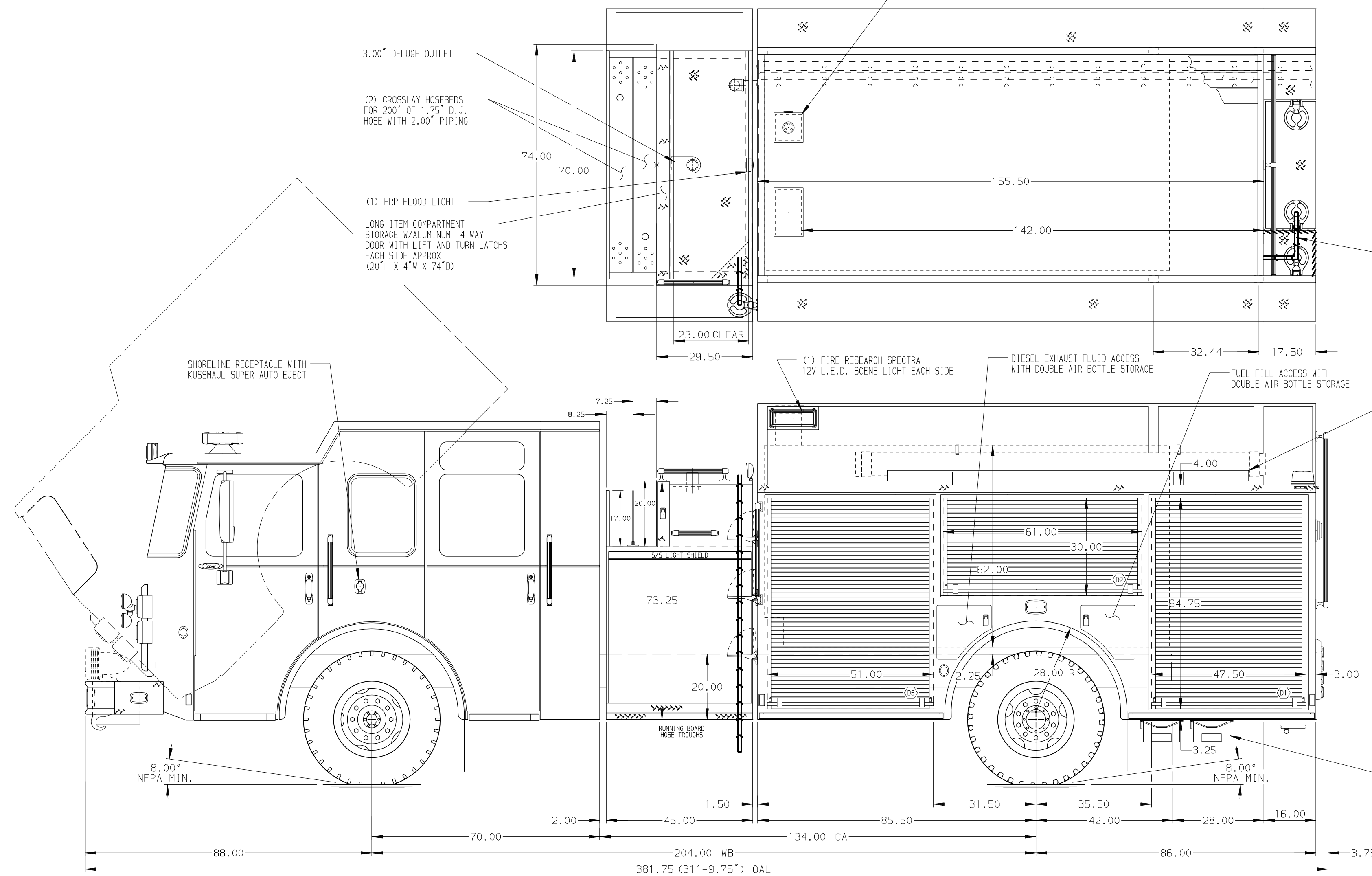


HOSEBED CAPACITIES

①	1200' OF 3.00" D.J. POLY
②	250' OF 2.50" D.J. POLY
③	400' OF 1.75" D.J. POLY



ALUMINUM BODY

NOTE
DIMENSIONS SHOWN ARE APPROXIMATE AND ARE SUBJECT TO MINOR DEVIATIONS AS MAY OCCUR OR BE NECESSARY IN CONSTRUCTION. MINOR DETAILS NOT SHOWN.

- TWO FULL WIDTH/DEPTH PAINTED ADJUSTABLE SHELVES IN COMPARTMENTS D1, D3, P1, P3, R1
- ONE FULL WIDTH/DEPTH FLOOR MOUNTED SLIDE-OUT TRAY WITH SIDE SLIDES IN COMPARTMENTS D1, D3, AND P1
- SWING-OUT TOOL BOARD WITH REBOARD PATTERN IN COMPARTMENTS D2 AND P2
- WARNER LIFE STAR INVERTER/BATTERY CHARGER LOCATED IN D3

CUSTOMER APPROVAL
APPROVED BY: _____
DATE: _____



JOB NO.	30282
SCALE	1:24
DATE	
DRAWN BY	TES
CHECKED BY	KBO
SHEET SIZE	D
SHEET NO.	1 OF 1

CHASSIS DATA	TITLE	1250-D-1530P, W/30GAL FOAM, 171" BODY FDLER DS & PS LADDERS NEXT TO TANK, DELUGE, (2)XLYS		
MAKE	FOR	OKEECHOBEE COUNTY FIRE RESCUE OKEECHOBEE, FLORIDA		
MODEL	DWG NO.	30282AD		
REV	DATE	BY	CH	SABER FR